

NEWPORT BRASS VALVE

Features

- Solid brass construction
- Universal 3/4" NPT and direct sweat connections for installation flexibility
- 22 gpm (gallons per minute) flow rate (@ 40 psi) dynamic pressure
- Quarter-turn washerless ceramic disc 3/4" valve cartridges.
- Diverter valve and hoses as needed for handshower
- Requires Newport Brass Deck Mount
- Tub Trim (sold-separately)

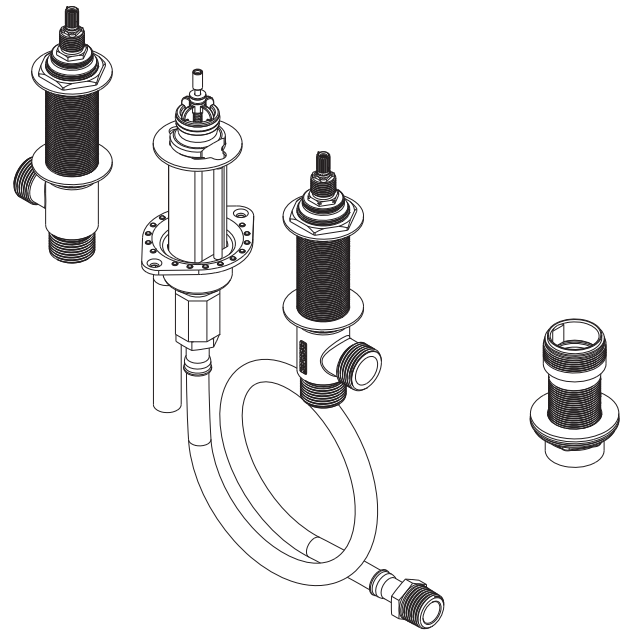
Codes / Standards Compliance

Meets or exceeds the following at date of manufacture:

- ASME A112.18.1/CSA B125.1
- IAPMO/Cupc
- IPC
- ASSE 1016
- All applicable US Federal and State material regulations

Deck Tub Rough Valve

1-570



Specified Model

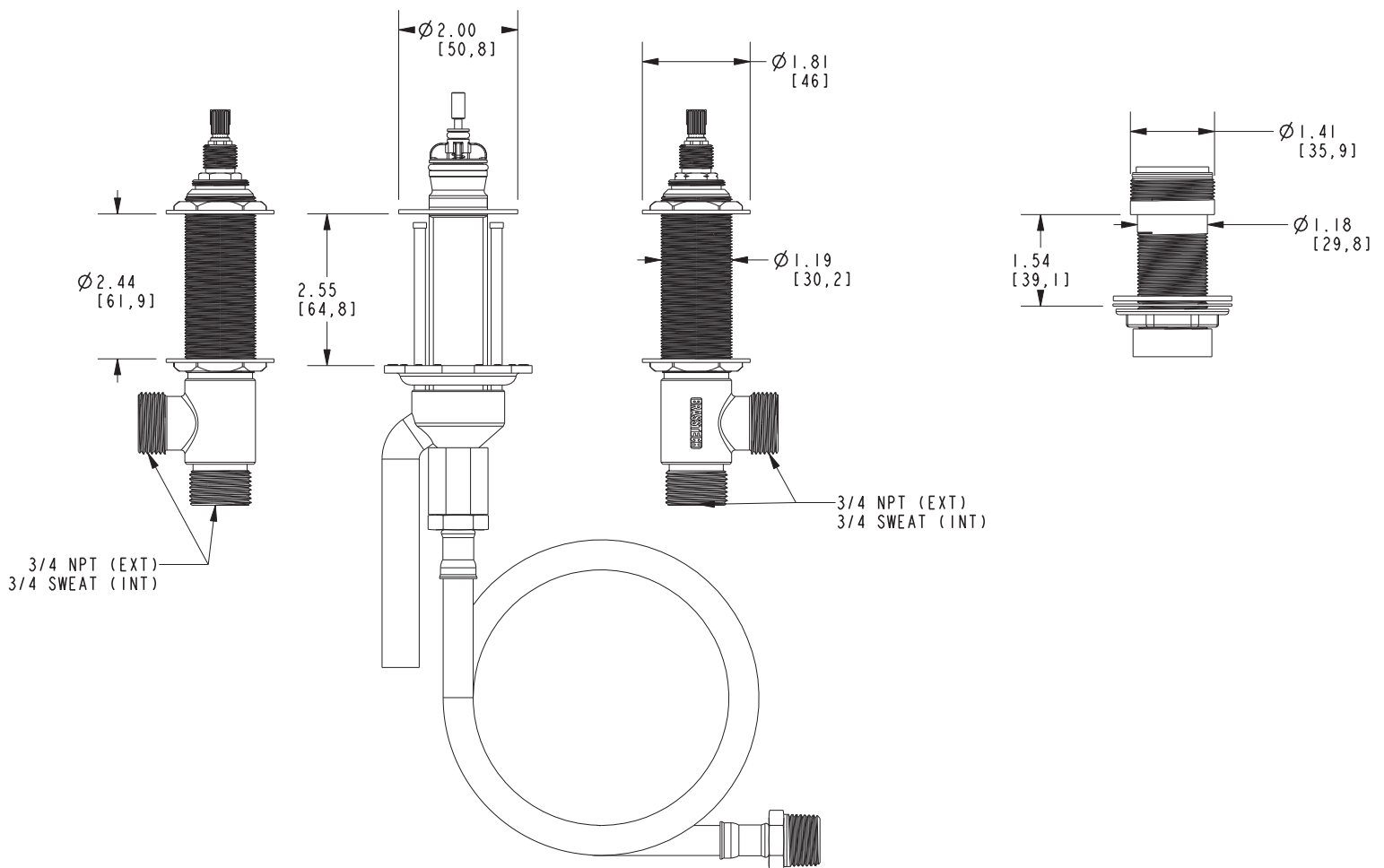
Model	Description	Colors Finishes
1-570	Deck Tub Rough Valve w/Hand Shower	<input type="checkbox"/> NA

Product Specification: Add "Color / Finish" suffix to Model number, below.

The deck mount valve for tub with handshower installations shall be made of solid brass construction. Valve body shall have universal 3/4" NPT connections. Valve body shall incorporate quarter-turn washerless ceramic disc valve cartridges. Valve shall have a maximum flow rate of 22 gpm (gallons per minute) flow rate (@ 40 psi) dynamic pressure. Rough Valve for deck mount trim shall also include a spout fitting / Diverter valve with hoses as needed for handshower Rough Valve for deck mount trim installations shall be Newport Brass Model 1-570.

1-570

PRODUCT DIMENSIONS *(Units are in inches)*



Newport Brass Valve 1-570