

EURO-URBAN Toilet

FEATURES

TOILET DESIGNED TO WORK WITH GEBERIT CONCEALED TANK AND CARRIER SYSTEM

Tank and Carrier Sold Separately from Fixture. Geberit System is Installed into Wall Utilizing Standard Residential Water Line.

Heavy 16-Gage Stainless Steel Construction

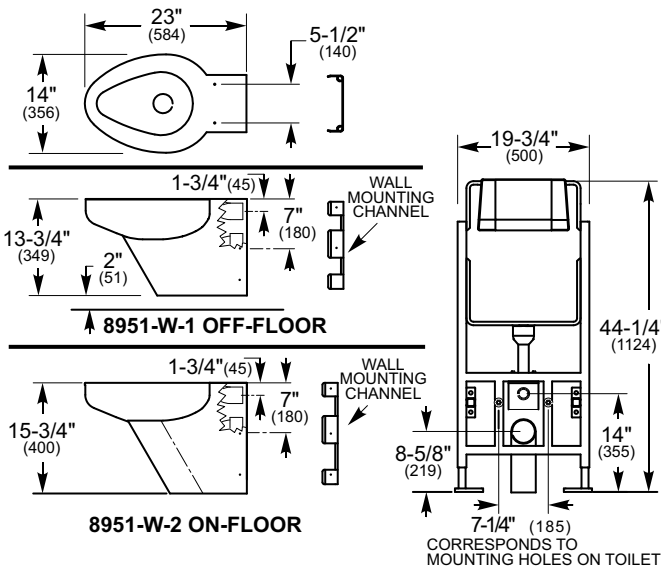
Provided with Satin Finish Standard; Optional Mira High Polish Finish also available. Stainless Steel is a Recyclable Material.

Elongated Toilet Bowl; Punched & Threaded for Top Mounted Toilet Seat 1/4"-20 x 1" Screws Provided, Seat Sold Separately.

Available in both **Off-Floor (-1) or On-Floor (-2) Configurations**
Codes/Standards Applicable - ANSI A112.19.2

Model 8951 with CTC
Satin Finish Stainless Steel
Euro Urban Contour Toilet
with Geberit Flushing System/Carrier
(Satin Finish Dual Flush Push Panel)

Grab bars
not included



Ordering Options

- 8951-W-1** Wall Supply, Off-Floor (Wall Waste), Satin Finish Stainless Steel Toilet*
- 8951-W-1-HP** Wall Supply, Off-Floor (Wall Waste), Mira High Polish Stainless Steel Toilet*
- 8951-W-2** Wall Supply, On-Floor (Wall Waste), Satin Finish Stainless Steel Toilet
- 8951-W-2-HP** Wall Supply, On-Floor (Wall Waste), Mira High Polish Stainless Steel Toilet

See separate specification sheet for Geberit Concealed Tank and Carrier System with Accessories.

PRODUCT Specification . . . The EURO-URBAN toilet is designed to work with the Geberit® concealed tank and carrier system (tank & carrier sold separately) with a Neo-Metro® Dual Flush Panel using 1.0 or 1.6 gallons (3.8 or 6 liters) per flush. Toilet shall be fabricated of 16-gage, Type 304 stainless steel with Satin Finish or optionally available in Mira (High Polish) Finish. Toilet is available in Off-floor (wall hung) Wall Outlet or On-floor Wall Outlet configurations. Toilet bowl is an elongated type and is punched and tapped for a top mounting toilet elongated seat. Seat sold separately. Trapway shall pass a 2-1/8" (54 mm) ball. Toilets meet ASME/ANSI guidelines as outlined in A112.19.2M-1998.

PLUMBING Specification . . . The toilet must use a Geberit® concealed (in-wall) tank and carrier system. Geberit® carrier requires 19-3/4" (502mm) clearance between 2" x 6" (51 mm x 152 mm) wall studs. Tank releases an average 1 or 1.6 gallons (3.8 or 6 liters) per flush using Neo-Metro® flush panel. Both water inlet and waste outlet are through the wall.

APPROVAL FOR MANUFACTURE



Member of
U.S. Green
Building
Council



Recyclable
Product

COMPANY: _____

PROJECT NAME: _____

SIGNEE'S NAME WRITTEN CLEARLY: _____ DATE: _____

AUTHORIZED SIGNATURE: _____

WARNING: Cancer and Reproductive Harm - www.P65Warnings.ca.gov