



# *FreeStyle Linear Drains™*

**THE MOST RELIABLE LINEAR DRAIN SYSTEM ON THE MARKET**

U.S. Patent No. 8,474,068  
Canadian Patent No. 2,690,794  
Patent Pending: EP Publication No. 2354339



VIEW MORE PRODUCT  
DETAILS, VIDEOS,  
AND DIAGRAMS ONLINE



# FUNCTION WITH STYLE

The patented clamping ring makes the FreeStyle Linear Drain the most watertight installation on the market. High capacity drainage, along with a low profile makes it ideal for barrier free showers, and the internal slope with flat bottom makes for a hassle-free installation.

## DESIGN CREATIVITY

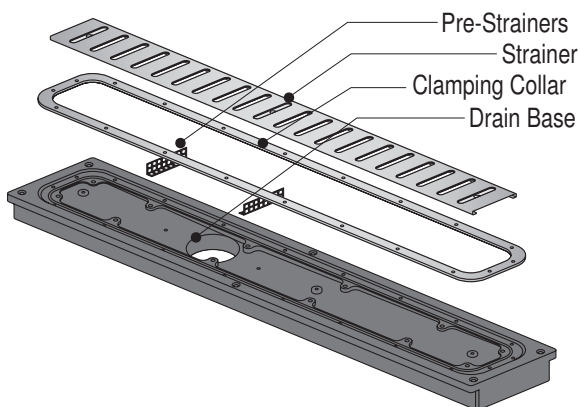
The FreeStyle Linear Drain offers contemporary styling with a selection of seven drain lengths with four brushed 316 stainless steel strainer styles as well as a tile top strainer. The single-pitch slope to drain allows for the use of large format tiles to complement the floor system used in the dry area. A barrier-free design can be achieved by resting the drain body on the integral flanges.



# RELIABLE SYSTEM

The FreeStyle Linear Drain's clamping collar ensures a watertight connection to the waterproofing sheet membrane. When installed with Noble Company sheet membranes, a uniform transition to the drain creates a reliable, seamless installation. The drain fastens directly to the standard 2" waste pipe, eliminating the use of a coupler that could leak and cause failure.

The complete waterproofing system available from Noble Company, including the FreeStyle Linear Drain, Noble waterproofing sheet membranes, and accessories, provides for a watertight installation.



# FEATURES

The FreeStyle Linear Drain base is constructed from ABS or PVC, making it easy to connect to waste lines.

The drain installs in both thin-bed showers and full mortar bed showers (with adapter kit).

## ADDITIONAL BENEFITS INCLUDE:

- Offset or Center hole drain location options available
- Flat bottom — no shimming or leveling needed
- One-piece base construction
- Available in PVC or ABS
- 316 Stainless Steel
- High capacity (36 gpm)
- Ideal in hospitality settings
- Internal pre-strainer for easy maintenance and no disruption of drain
- Connect multiple drains to span longer areas
- Drain materials are suitable for outdoor use
- Install at thresholds or exits for overflow control
- Customizable drain lengths\* for large projects

*\*With minimum quantity*





## EASIEST INSTALLATION

The FreeStyle Linear Drain offers a complete waterproofing system for both thin-bed and full mortar bed installations using Noble Company waterproofing sheet membranes such as NobleSeal®, ValueSeal®, and Chloraloy®, and the ProBase® II single-slope kit.

The ProBase II Single-Slope Base Kit simplifies the installation of the shower slope meeting up to the FreeStyle Linear Drain. Combined with the proven performance of Noble Company's waterproofing sheet membrane, this single-slope kit is ideal for FreeStyle Linear Drain shower installations.

## STRAINERS

The FreeStyle Linear Drain is available in 5 strainer styles and in 7 lengths: 24", 32", 36", 40", 48", 54" and 60". Noble Company offers a connector kit which provides a continuous strainer connection between two FreeStyle Linear Drains.

### AVAILABLE STRAINERS:

- Tile Top Strainer<sup>1</sup> – Install your own tile
- Cross-Hatch Strainer
- Slotted Strainer<sup>1</sup>
- Pyramid Strainer<sup>1</sup>
- Wave Strainer
- Custom sizes with minimum quantity order

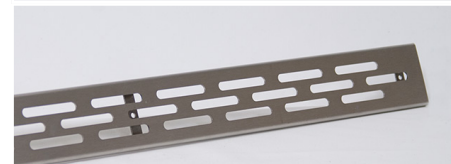
<sup>1</sup>Complies with ADA guidelines for handicapped accessible showers.



*Install your tile in the strainer* **Tile Top Strainer<sup>1</sup>**



**Cross-Hatch Strainer**



**Slotted Strainer<sup>1</sup>**



**Pyramid Strainer<sup>1</sup>**

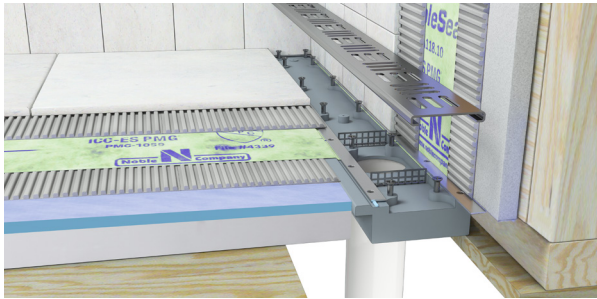


**Wave Strainer**



## FULL MORTAR BED ADAPTER KIT

- For use with full mortar bed installations
- Mortar Guard protects mud bed erosion due to chemicals and debris
- Use with Chloraloy (CPE) shower pan liner or PVC



## PROBASE II BASE KIT

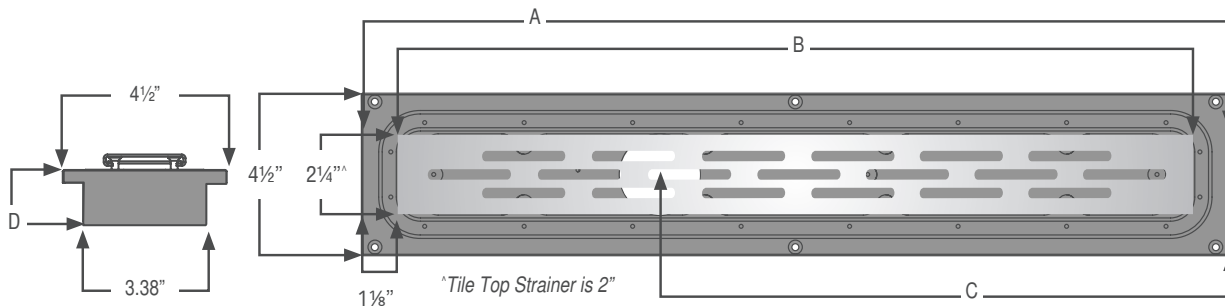
- Replaces mortar in thin-bed installation
- Designed to be installed abutting the FreeStyle Linear Drain
- Includes installation critical waterproofing components such as ValueSeal® waterproofing sheet membrane and Thin-Line™ installation accessories
- Shims allow for offset location of drain to back wall

## DIMENSIONS

The FreeStyle Linear Drain is available in 7 drain lengths. Below is a chart showing the dimensions for:

A - Drain Length	24"	32"	36"	40"	48"	54"	60"
B - Strainer Length*	21 3/4"	29 3/4"	33 3/4"	37 3/4"	45 3/4"	51 3/4"	57 3/4"
C - Hole Location							
Offset Hole	15 3/4"	19 1/2"	21 3/4"	23 3/4"	27 3/4"	30 3/4"	33 3/4"
Center Hole	12"	16"	18"	20"	24"	27"	30"
D - Body Thickness	1 1/4"	1 1/4"	1 1/4"	1 1/4"	1 1/4"	1 1/4"	1 1/4"

\*Deduct 3/8" for Tile Top Strainer length (Tile Top Strainer is 2" wide)



## STRAINER CONNECTOR KIT

JOINING TO	24"	32"	36"	40"	48"	54"	60"
24"	8513						
32"	8513	8513					
36"	8513	8513	8513				
40"	8514	8514	8514	8515			
48"	8513	8513	8513	8514	8513		
54"	8513	8513	8513	8514	8513	8513	
60"	8514	8514	8514	8515	8514	8514	8515

## LISTINGS & APPROVALS

- ICC-ES PMG 1065
- UPC - IAPMO File No. 7249
- State of Massachusetts



7300 Enterprise Drive, Spring Lake, MI 49456 · (800) 878-5788 · Fax: (231) 799-8850 · www.noblecompany.com  
 ® Registered Trademark of Noble Company™ Trademark of Noble Company, Spring Lake, MI. © 2021 Noble Company

File #FS022021-06 | 03/21 | Supersedes FS012019-05