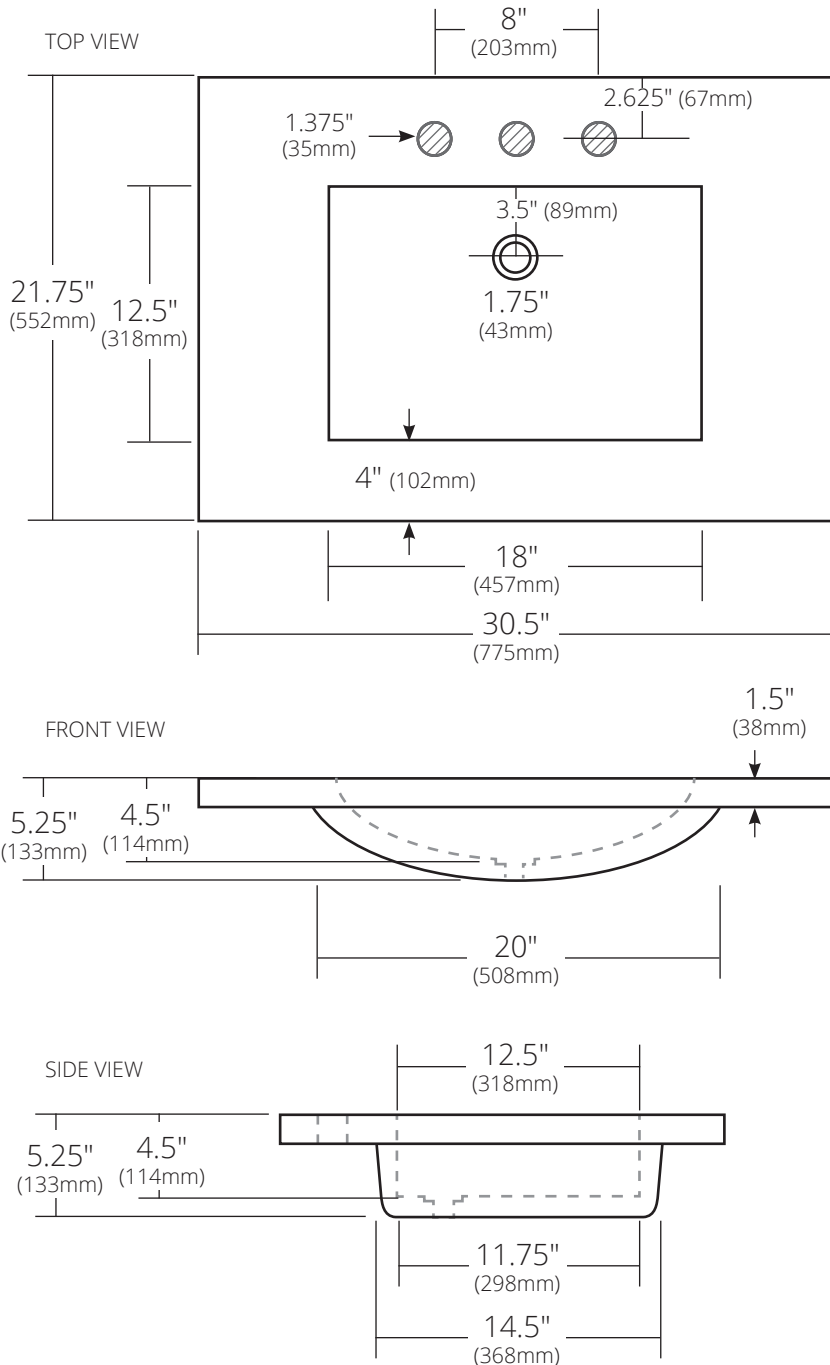


SPECIFICATIONS

30" PALOMAR VANITY TOP WITH INTEGRAL SINK

NativeStone® Collection



<ul style="list-style-type: none"> 8" Faucet Spread NSVNT30-A Ash NSVNT30-C Charcoal NSVNT30-E Earth NSVNT30-P Pearl NSVNT30-S Slate 	<ul style="list-style-type: none"> Single Faucet Hole NSVNT30-A1 Ash NSVNT30-C1 Charcoal NSVNT30-E1 Earth NSVNT30-P1 Pearl NSVNT30-S1 Slate
--------------------------------------------------------------------------------------------------------------------------------------------------------------------------------------------------	---------------------------------------------------------------------------------------------------------------------------------------------------------------------------------------------------------

PRODUCT DETAILS

- 30.5" x 21.75" x 5.25" OD (775mm x 552mm x 133mm)
- Basin 18" x 12.5" x 4.5" (457mm x 318mm x 114mm)
- 1.75" (43mm) drain opening
- Pre-drilled for 8" (203mm) faucet spread or single faucet hole
- Handcrafted from sustainable NativeStone
- Sealed with NativeStone Shield™

COORDINATING PRODUCTS

- Drains: DR120, DR130 or DR150

STANDARDS COMPLIANCE

- UPC/cUPC compliant
- **ADA COMPLIANT**

IMPORTANT

DO NOT use tape or other adhesives on NativeStone as it may remove the sealer.

Due to the handcrafted nature of this product, it will vary in finish, texture, and other details. Dimensions may vary up to 1/4" (6mm).