

Features

- Solid brass rough-in valve included.
- 12" rain shower head.
- 2-way concealed diverter (2 water outlets).
- Thermostatic cartridge.
- Ceramic disc technology.
- Sleek hand shower.
- 28" sliding rail included.
- 1/2" NPT inlets and outlets (compatible with US plumbing connections)

Installation

- Wall mounted installation.

Included Pieces


- 12" shower arm with flange. (Remer 348S30US-CR)
- 12" shower head. (Remer 359SSL-CR)
- 2-way shower diverter with rough-in valve. (Remer QT92US-CR)
- Hand shower. (Remer 317SS-CR)
- Flexible shower hose. (Remer 333CNX150-CR)
- Water connection. (Remer 309SUS-CR)
- 28" sliding rail. (Remer 317S-CR)



Nameek's One-Year Limited Warranty

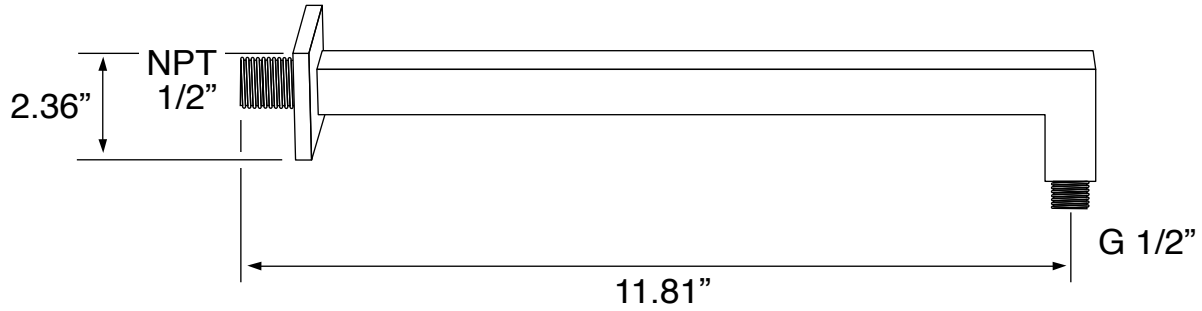
See website for warranty information details.

Color/Finish Details

Color	Code	Description
	CR	Polished Chrome

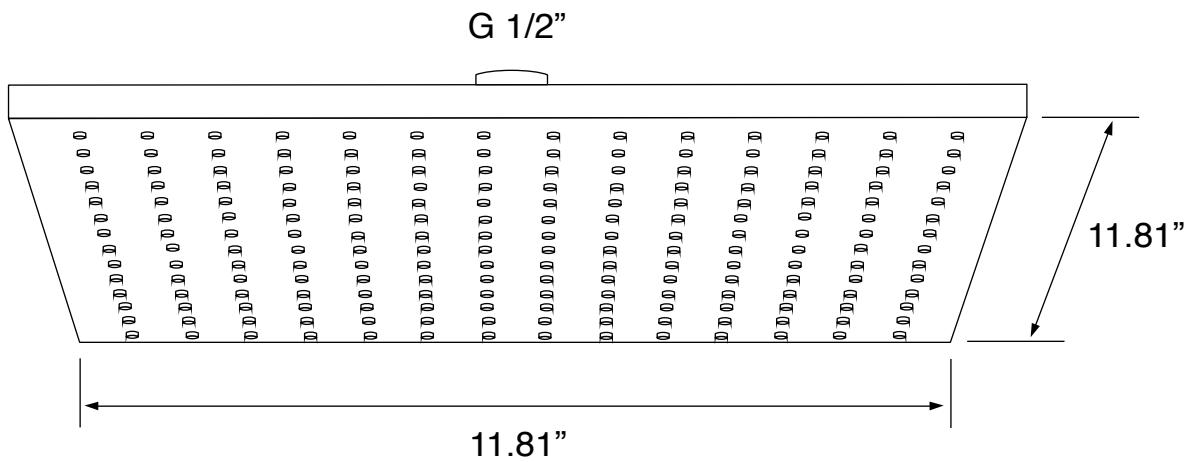
Shower Arm

Remer 348S30US-CR



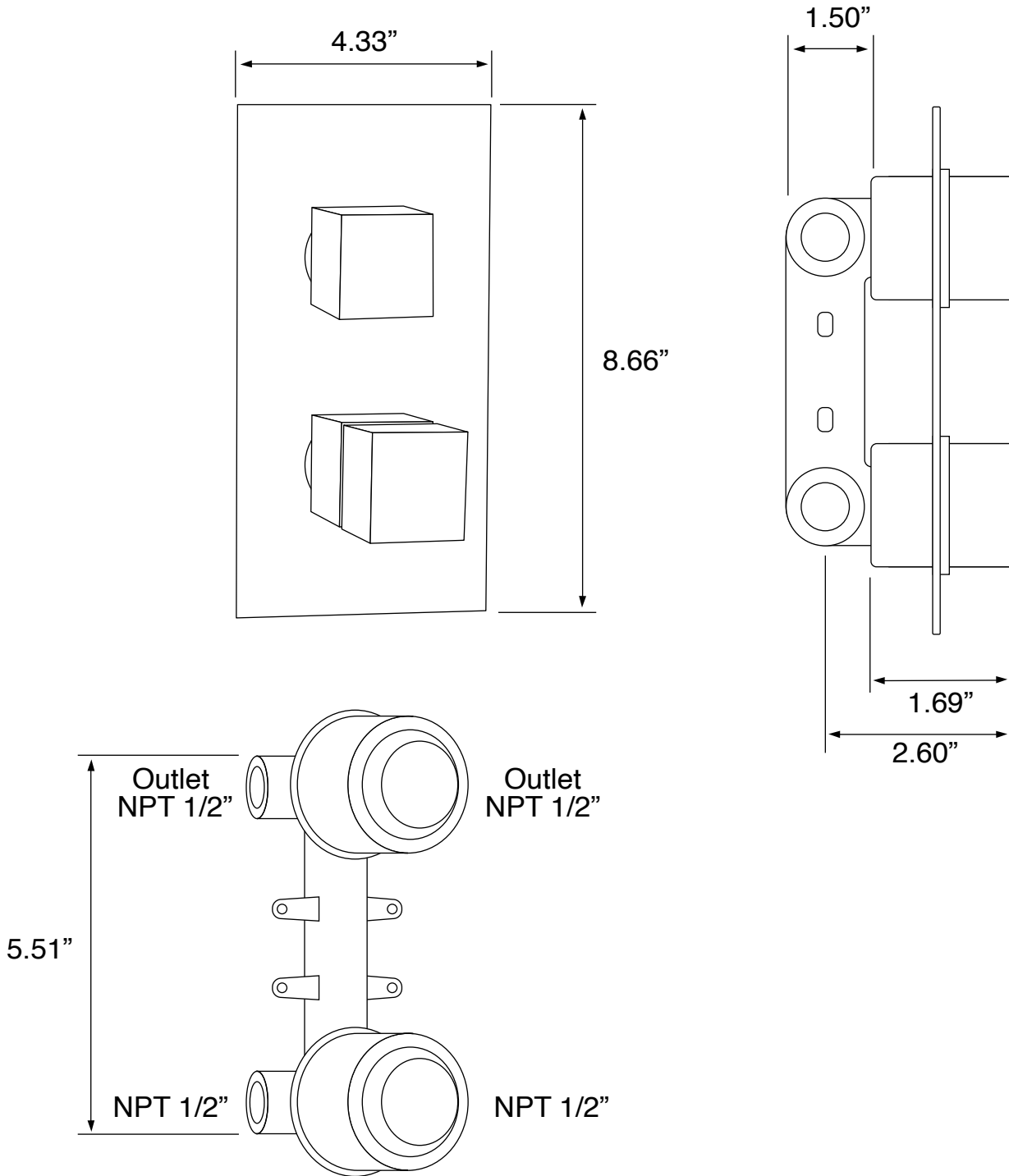
Rain Shower Head

Remer 359SSL-CR



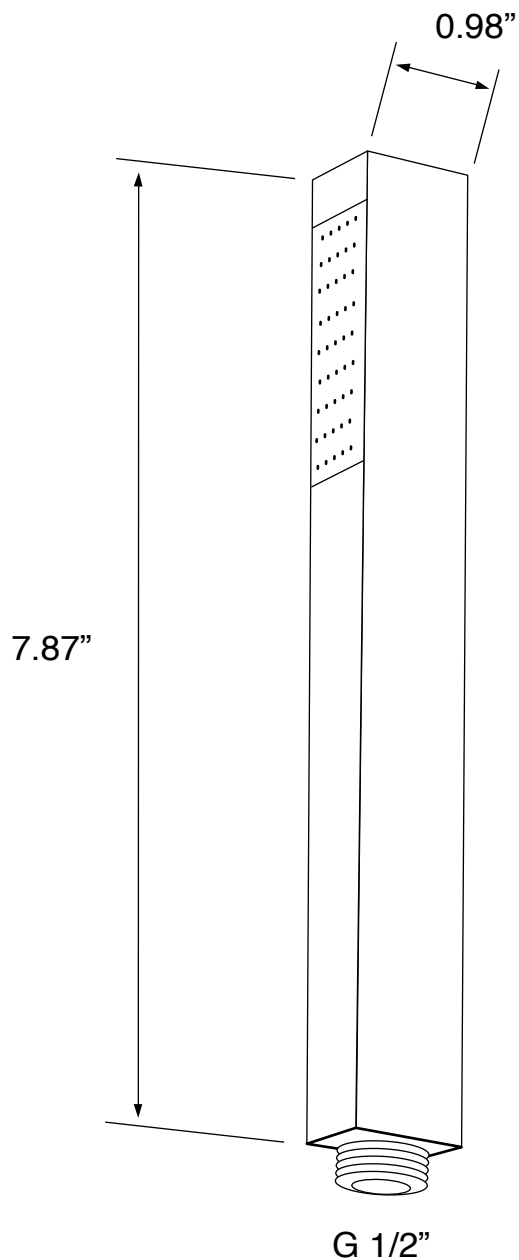
Shower Valve (Trim + Rough-in Valve)

Remer QT92US-CR



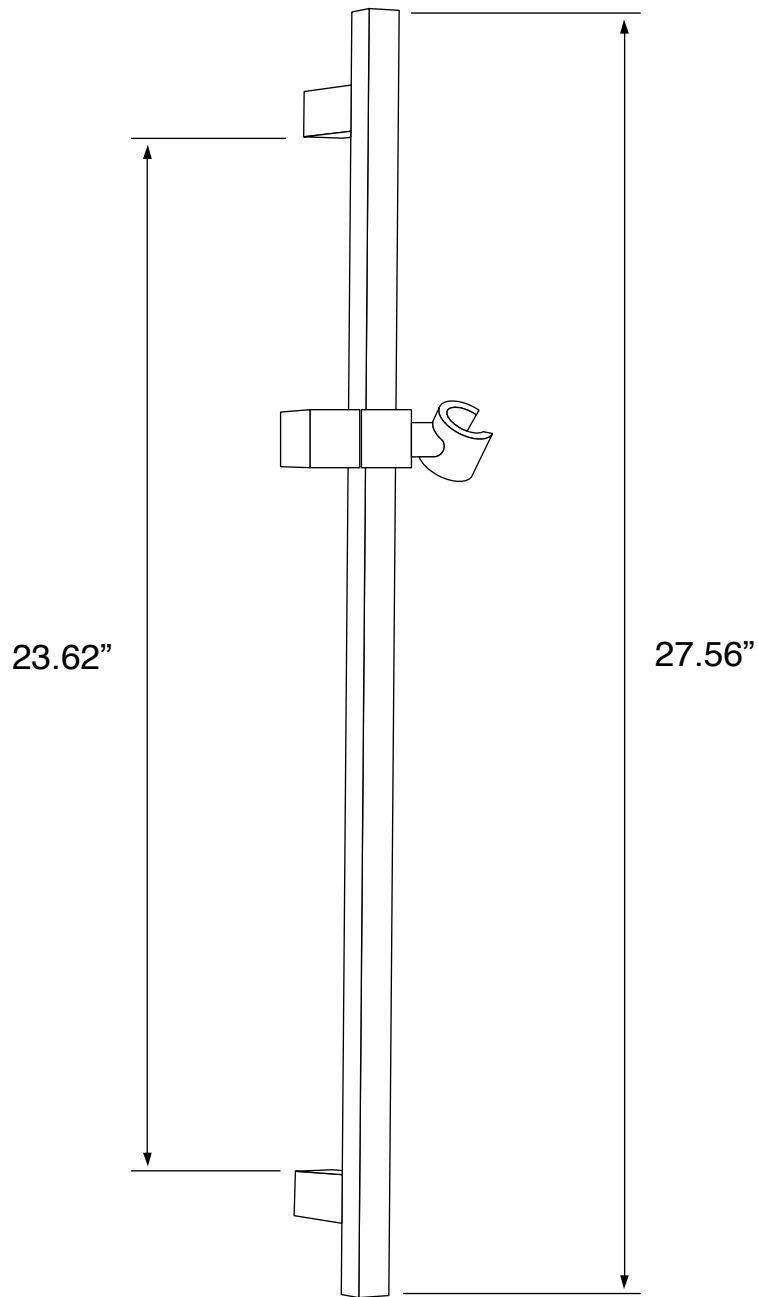
Hand Shower

Remer 317SS-CR



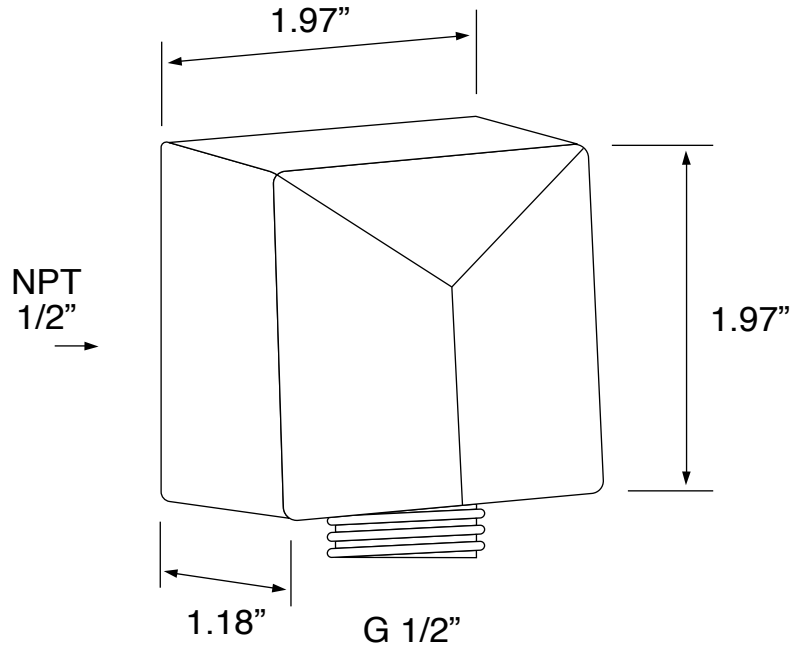
Sliding Rail

Remer 317S-CR



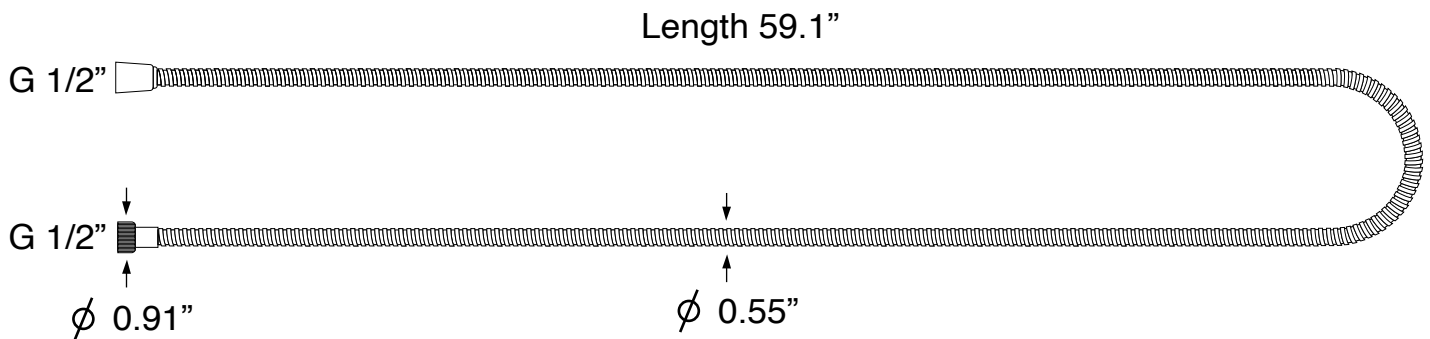
Water Connection

Remer 309SUS-CR



Shower Hose

Remer 333CNX150-CR



Technical Information

Shower head size:	11.81"
Shower head type:	Rain
Pivoting shower head:	Yes
Shower arm length:	11.81"
Rough-in included:	Yes
Material:	Brass
Cartridge type:	Thermostatic Ceramic disc technology
Hand shower functions:	Wide

Notes

This item is recommended to be installed by a licensed plumber or professional only. Please ensure to observe all local and building code requirements. Shut off water supply prior to installation.

Includes mounting hardware.