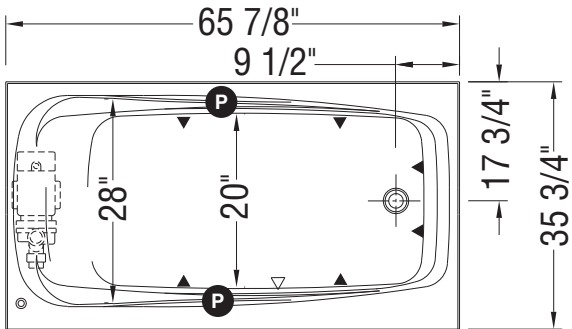
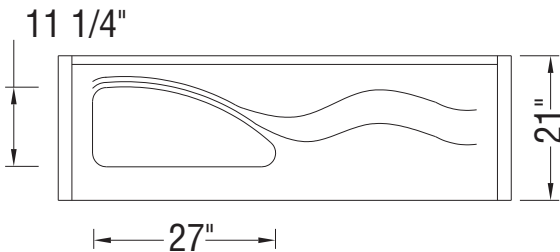
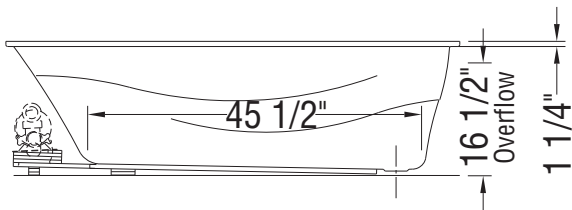
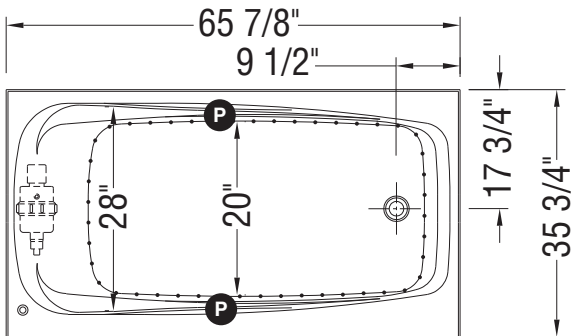


WHIRLPOOL SYSTEM



AIR SYSTEM



P : Indicates optional grab bar positioning

(**▲**) : Indicates Whirlpool jets positioning

(**•**) : Indicates airjets positioning

(**△**) : Indicates suction positioning

All dimensions are approximate. Structure measurements must be verified against the unit to ensure proper fit.