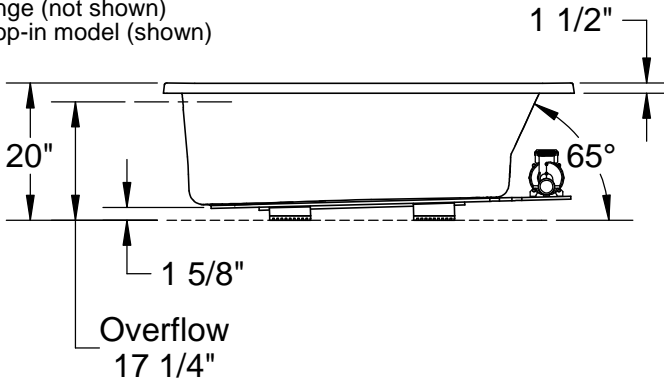
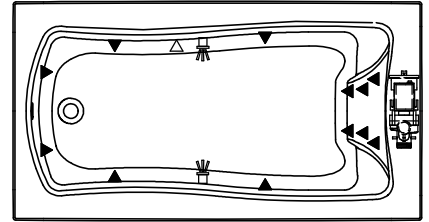


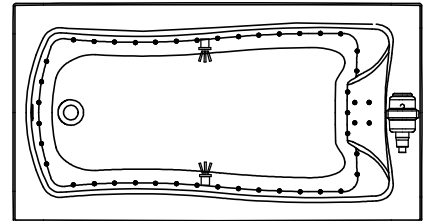
1 1/8" Single integrated tiling
flange (not shown)
Drop-in model (shown)



WHIRLPOOL SYSTEM



AIR SYSTEM



- (▲) : Indicates whirlpool jets positioning
- (●) : Indicates airjets positioning
- (△) : Indicates suction positioning
- (☞) : Indicates chromotherapy light positioning

Technical drawing is universal for all 6032 configurations.

Single Integrated tiling flange: 1 1/8" height x 1/4" thickness (not shown)

All dimensions are approximate.
Structure measurement must be verified against the unit to ensure proper fit.