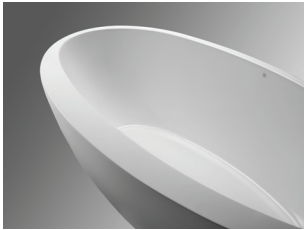
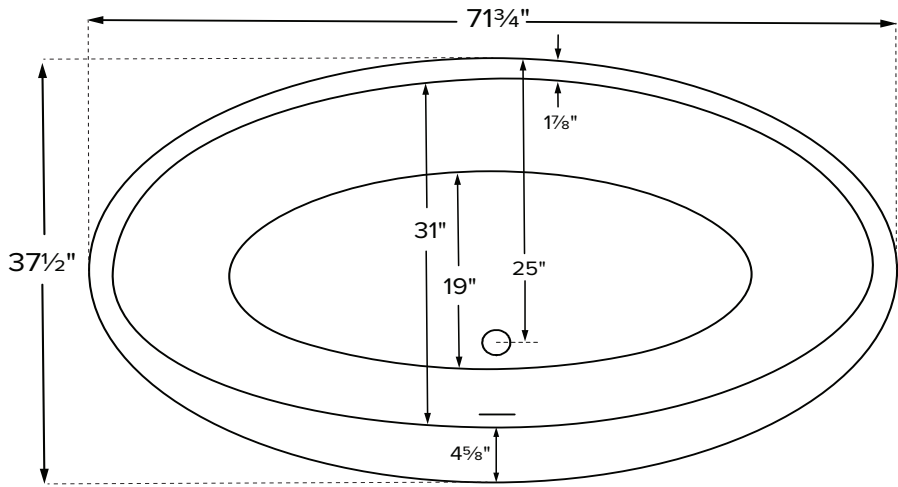


Cassandra

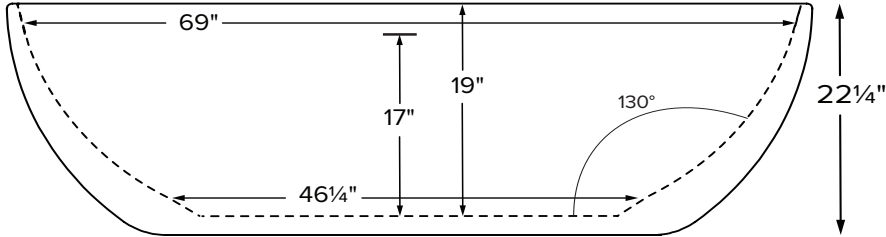


Features an integrated overflow.

MODEL 253
71.75" x 37.5" x 22.25"
FREESTANDING 77 gal to overflow
<b>SculptureStone®</b>
405 lbs / 184 kg soaker 435 lbs / 197 kg airbath
May also be undermounted. Must specify on order. Not recommended as a tub / shower combination.  Filling this tub to the maximum may require an above average size or dedicated water heater.



Shown above as Soaker.



ELECTRICAL COMPONENTS & SPECIFICATIONS		
Required Electrical Service - 110 Volt		
Hydrotherapy Package	Components Included	GFCI
Air Massage	heated blower	1-15 amp
Electrical requirements may change with the addition of optional therapy components. See specific option details or installation information. CSA Certified C/US; ANSI Z124.1 and ANSI 112.19.7 and ANSI 112.19.7		

**IMPORTANT ORDERING & INSTALLATION INFORMATION**

- Before ordering or installing, please consider future access to equipment.
- Includes an integrated overflow with toe tap drain in chrome finish. May be specified without an overflow (see local codes before ordering without an overflow).
- Air baths require job site preparation for remote installation of the blower and required check valve. Check valve must be installed higher than the rim of the tub.
- Waterproof remote control included with air bath. Keypad shipped loose may be remote mounted on nearby surface/wall.
- Faucet valves cannot be mounted on this tub model.

See the Installation & Operation Manual for more details.  
MTI's Customer Service: Monday-Friday 8am-6pm EST  
**800-783-8827** or [service@mtibaths.com](mailto:service@mtibaths.com)

• Before discarding tub crate, check for accessories that may be packaged inside.  
• All product measurements are ±1/2".  
• Specifications and configurations are subject to change without notice.  
• Measurements herein supersede all others published prior to publication date below.



For more information on options and accessories go to SculptureStone® Tubs Options on mtibaths.com

Cassandra  
MODEL #: 253  
71.75" x 37.5" x 22.25"

- Blower & required check valve for airbath must be remote mounted.
- Check valve must be installed higher than the rim of the tub.
- See the Installation & Operation Manual for more details.

Hydrotherapy	Package Contents	Part #	MSRP
Soaker	Soaking bath - no jets. Includes an integrated slotted overflow with a toe-tap drain kit.	S253	\$12,255
Air Bath	20 air jets, heated air blower, keypad, waterproof remote control, integrated slotted overflow with a toe-tap drain kit.	AST253	\$17,375

Options <small>Must be ordered at time of purchase</small>
<b>Quick Ship</b> (QSPRI2) <b>\$1,025</b> reduces lead time <i>Please call for availability</i>
<b>Standard Color</b> White, matte finish <b>Biscuit Color Upgrade</b> (SBI) <b>\$310</b> matte finish <i>Additional material colors available for projects only. Please call MTI.</i>
<b>Hand-Polished Deep Gloss Finish</b> (SSGLOSS3) <b>\$1,230</b> upcharge For white or biscuit
Accessories
<b>Teak Bath Mat</b> (TKMAT3018) <b>\$815</b> Measures 30" x 17.5" x 1" <i>Custom sizes also available. Contact MTI for details.</i>
<b>Floor-Mounted High-Flow Tub Filler</b> Contemporary Chrome (FILLC) <b>\$1,480</b> Brushed Nickel (FILLBN) <b>\$1,710</b>

Boutique Accessories	
Packaging / Handling Fee Applies	
<b>SculptureStone® Bathroom Table</b> (TABLE) <b>\$825</b> matte finish <b>+\$410</b> gloss finish upcharge (SSGLOSSNK) <i>Order with tub for best color match</i>	
<b>SculptureStone® Standard Faucet Stand</b>	
Small - 3-hole capacity 14¼" w x 20½" h Matte (STAND) <b>\$725</b>	Large - 5-hole capacity 22" w x 21½" h Matte (STANDL) <b>\$855</b>
<b>+\$410</b> gloss finish upcharge (SSGLOSSNK)	
<b>SculptureStone® Premium Faucet Stand</b>	
<b>15" w x 39" h</b>	<b>10" w x 39" h</b>
Matte (SSFSR3915MT) <b>\$2,365</b>	Matte (SSFSR3910MT) <b>\$2,135</b>
Gloss (SSFSR3915GL) <b>\$2,720</b>	Gloss (SSFSR3910GL) <b>\$2,525</b>
<b>20" w x 23" h</b>	<b>15" w x 23" h</b>
Matte (SSFSR2320MT) <b>\$1,930</b>	Matte (SSFSR2315MT) <b>\$1,825</b>
Gloss (SSFSR2320GL) <b>\$2,315</b>	Gloss (SSFSR2315GL) <b>\$2,180</b>
<b>SculptureStone® Premium Component Stand</b>	
20" l x 22.5" h	
Matte (SSPX1MT) <b>\$2,000</b>	
Gloss (SSPX1GL) <b>\$2,640</b>	
<i>Compatible with select tub models.</i>	
<i>Go to www.mtibaths.com</i>	

Drains & Overflow Kits <small>Must be ordered at time of purchase</small>	
<b>Toe Tap Drain Cover Finishes</b> PVC drain - Chrome included <b>+\$50</b> upcharge Br. Nickel (WIOBN), Pol. Nickel (WIOPN) <b>+\$85</b> upcharge Matte Black (WIOMB) <b>+\$105</b> upcharge Oil-Rubbed Bronze* (WIOOR) <b>+\$640</b> upcharge Special Finish* (WIOSF) <i>Send finish sample to MTI Baths for best match.</i>	<b>Toe Tap SculptureStone® Drain Cover Finishes</b> Upgrade is in lieu of standard chrome to tap drain cover. White only <b>+\$90</b> upcharge Matte Finish (SSWIOMT) <b>+\$110</b> upcharge Gloss Finish (SSWIOGL) <b>Brass Tailpiece</b> (WIOBS) <b>\$85</b> in addition to finish charge listed above <b>Quick Drain Kit</b> (WOQ) <b>\$460</b>

\* MTI has selected an oil-rubbed bronze finish that is compatible with Delta and many other manufacturers. To ensure best match, order as a Special Finish and submit a sample.  
CSA # MTCT-253  
©2023 by MTI Baths, Inc. Modification Rights Reserved

\* Allow 2-4 weeks lead time for Special Finishes.  
Send sample for best match.

