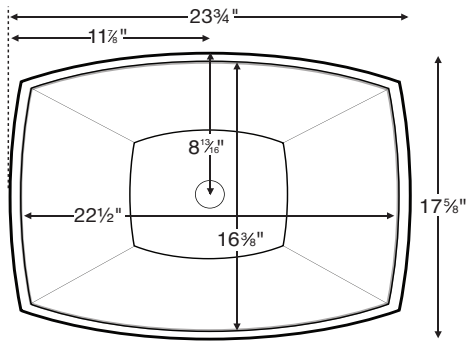


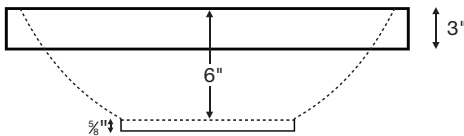
Adrian SR



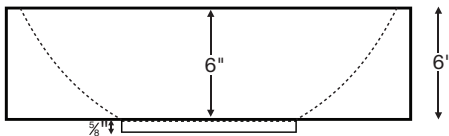
Shown with standard 3" rim height. Rim height may be specified up to 6" when ordering.



*Shown below with 3" standard rim height.



*Shown below with max. rim height of 6".



Due to its handcrafted nature, always measure sink on-site to ensure cut-out accuracy.

MODEL 737
23.75" x 17.625" x 6.625"
SEMI-RECESSED
SculptureStone®
40 lbs / 18 kg

Sink Options and Pricing

Part #: MTCS737 \$1,290

Standard Color White, matte finish
Biscuit Color Upgrade (SSBISNK) \$120 matte finish
 Additional material colors available for projects only. Please call MTI.

Hand-Polished Deep Gloss Finish Upcharge (SSGLOSSSNK2) \$530
 For White or Biscuit

Exterior Color \$340 (SSCOLSG) Gloss (SSCOLSM) Matte
 Must specify color code:
 Sapphire Blue (SB), Blue Lagoon (BL), Terracotta (TC),
 Onyx (OX), Stratus Gray (TG), Stormgray (SG)

Quick Ship (QSPRI3) \$255 reduces lead time
 Please call for availability.

Options and Accessories

Drain Kits

Finger Touch Drain Without Overflow

Chrome (DKFGCN) **\$185**, Brushed Nickel (DKFGBNN) **\$190**

Grid Drain Without Overflow

Chrome (DKGDCN) **\$115**, Brushed Nickel (DKGDBNN) **\$180**

Fixed Drain Without Overflow

Chrome (DKFDC) **\$300**



Shown above with a maximum exterior height of 6".
 A small portion of the sink will extend below the vanity top.

ORDERING AND INSTALLATION

- 1.5" drain opening
- One-piece construction
- Non-porous, stain-, mold- and mildew-resistant SculptureStone®
- Material is approximately 70% organic
- Five-Year Limited Residential Warranty

• Before discarding packaging, check for accessories that may be inside.
 • All product measurements are ±1/2".
 • Specifications and configurations are subject to change without notice.
 • Measurements herein supersede all others published prior to publication date below.

