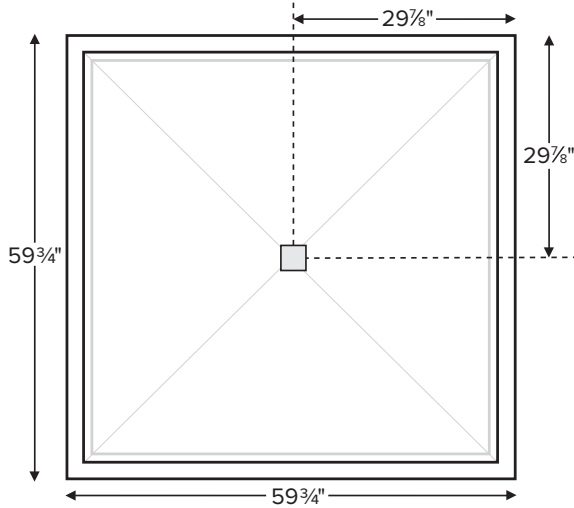
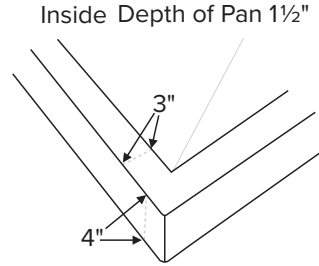


6060MT



When ordering, please specify tile flange locations.

59.75" x 59.75" x 4" (exterior bottom of base)
MULTIPLE, LOW-PROFILE THRESHOLD smooth floor
Center Drain
<b>Acrylic CXL®</b>
150 lbs / 68 kg



Model #	Material	Color / Finish	MSRP
SB6060MT	Acrylic CXL™	White (CWH) or Biscuit (CBS) / Gloss	<b>\$2,940</b>

Options <i>Must be ordered at time of purchase</i>
<b>Quick Ship (QSPRI) \$430</b> Reduces lead time. Please call for availability.
<b>Radiance® (RAD100) \$1,595</b> Shower floor heating system. Radiance heating grids are fully integrated within the acrylic shell structure of the shower floor. Requires a 110-volt, 15 amp GFCI and remote installation of control box & keypad.
<b>Pre-Levelled Foam Base (PLFSB) \$220</b>
<b>PVC Drain Kit Finishes</b> Chrome included with shower base Brushed Nickel upcharge (SBSQDBN) <b>\$125</b> Special Finishes upcharge* (SBSQDSF) <b>\$750</b> *Must send finish sample and allow 3-4 weeks additional lead time.

Accessories
<b>Drain Kit Options</b> Solid Brass Drain Kit with Stainless Steel Trim (SBSQDSB) <b>\$195</b>
<b>Teak Shower Seat</b> Premium Natural Stainless (TK-SSEAT2416BNS) <b>\$3,035</b> High-Polished Stainless (TK-SSEAT2416BHP) <b>\$3,465</b> Standard Natural Stainless (TK-SSEAT2215NS) <b>\$1,125</b> High-Polished Stainless (TK-SSEAT2215HP) <b>\$1,575</b>
<b>Teak Bath Mat (TKMAT3018) \$815</b> Measures 30" x 17.5" x 1" Custom sizes also available. Contact MTI for details.
<b>Teak Shower Tray (TK6060MT) Contact MTI for pricing</b>



Factory-installed tile flange is 3/16" thick. Account for this thickness when planning final opening size.

**IMPORTANT ORDERING & INSTALLATION INFORMATION**

- Factory-installed tile flange on 1, 2 or 3 sides to facilitate installation. Must specify tile flange location(s) on order.
- 3.5" drain opening pre-drilled.
- Dimensions provided represent the length and width of the bottom of the base without tile flange. See Installation Instructions.
- Add proper wet-bedding compound to fully support bottom of shower base. Optional factory installed Pre-Levelled Foam Base negates the need to wet bed when installing on a flat, level subfloor. See installation instructions.
- All bases are in accordance with CSA B45.5/IAPMO Z124 standard and compliant with ASTM C 1028-07 coefficient of friction.

• Options and accessories may be packaged inside the box. Always check packaging before discarding.  
• All product measurements are ±1/2".  
• Specifications and configurations are subject to change without notice.  
• Measurements herein supersede all others published prior to publication date below.

See the Installation & Operation Manual for more details.  
MTI's Customer Service: Monday-Friday 8am-6pm EST  
**800-783-8827** or [service@mtibaths.com](mailto:service@mtibaths.com)

CSA # MTSB-6060MT

©2023 by MTI Baths, Inc. Modification Rights Reserved

