

Arlys™ Technical Specification

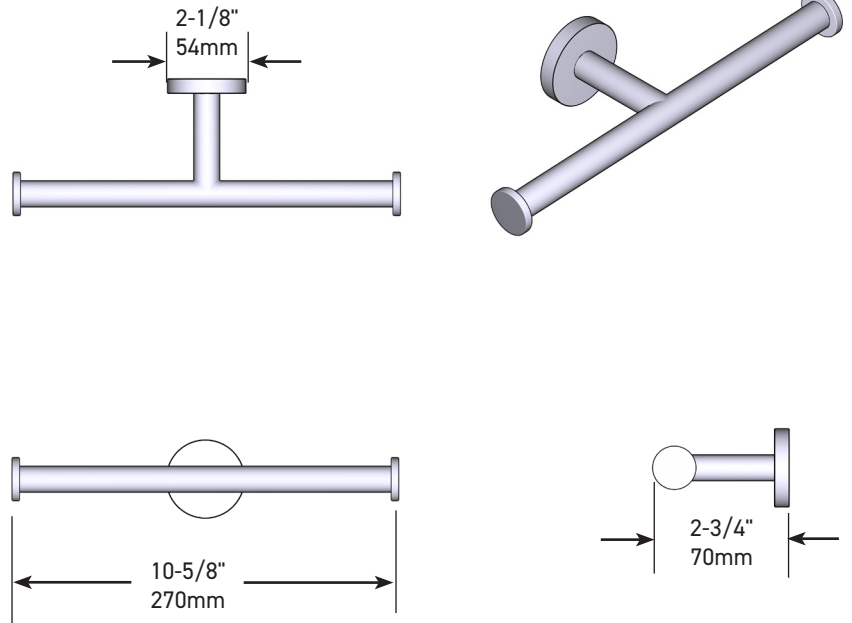
Double Paper Holder

Y5788

Stock Numbers:

- **Y5788CH – Double Paper Holder**
Chrome Finish
- **Y5788BN – Double Paper Holder**
Brushed Nickel Finish
- **Y5788BL – Double Paper Holder**
Matte Black Finish

Dimensions:



Materials:

Double Paper Holder is constructed of zinc.

Installation Instructions:

1. Remove the mounting post from the body by loosening the set screw.
2. Position the mounting post on the wall at desired location with notch facing down.
3. One at a time, place each anchor screw through the mounting post, centered in the large hole. Using a Phillips screwdriver, turn the anchor screw while applying pressure. Screw will self drill and tap into drywall. **Do not over tighten.**
4. Place assembly over the mounting post, setscrew facing down.
5. Tighten set screw.

Cleaning Instructions:

To preserve the fine finish of this product, clean only with a soft damp cloth. Dry well. Do not use commercial or abrasive cleaners.

Stock Number: _____ Double Paper Holder
By Moen Incorporated

MOEN®

25300 AL MOEN DRIVE • NORTH OLMSTED, OH 44070
CORPORATE HEADQUARTERS: (800) 321-8809 • FAX: (800) 848-6636
INTERNATIONAL: (440) 962-2000 • FAX: (440) 962-2726
CUSTOMER SERVICE (USA): 800-882-0116 • FAX: (888) 379-2720
WWW.MOEN.COM

© 2021 Moen Incorporated. Moen is a registered trademark and Arlys is a trademark of Moen Incorporated. All rights reserved.