



Buy it for looks. Buy it for life.®

Specifications

FAUCET DESCRIPTION

- Metal construction with various finishes identified by suffix
- Includes showerhead, arm and flange
- For use with S3371, 3/4" thermostatic valve and S3600, volume control valve

OPERATION

- Flow lever operates counterclockwise through a 90° arc with shut off at 6 o'clock and maximum flow at the 3 o'clock position. Shut off in clockwise direction
- Temperature lever operates through a 340° arc with maximum cold at full clockwise rotation and maximum hot at full counterclockwise rotation
- Safety stop preset temperature at 105°F (41°C)
- Safety stop override allows maximum temperature at 120°F (49°C)
- Factory established temperature range from 70°F (21°C) to 120°F (49°C)

FLOW

- Showerhead is limited to 2.5 gpm (9.5 L/min) at 80 psi

CARTRIDGE

- 130156 thermostatic cartridge design with non metallic/nonferrous materials
- 130157 volume ceramic disc cartridge design

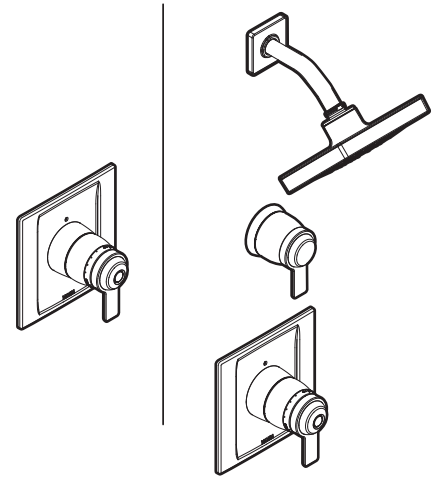
STANDARDS

- Third party certified to: ASME A112.18./CSA B-125.1, ASSE1016 and all applicable requirements referenced therein

- **ADA** for lever handle

WARRANTY

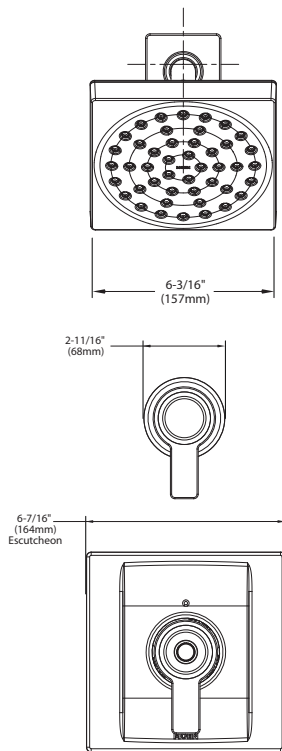
- Lifetime limited warranty against leaks, drips and finish defects to the original consumer purchaser
- 5 year warranty if used in commercial installations



90 DEGREE™ 3/4" Thermostatic Shower Trim

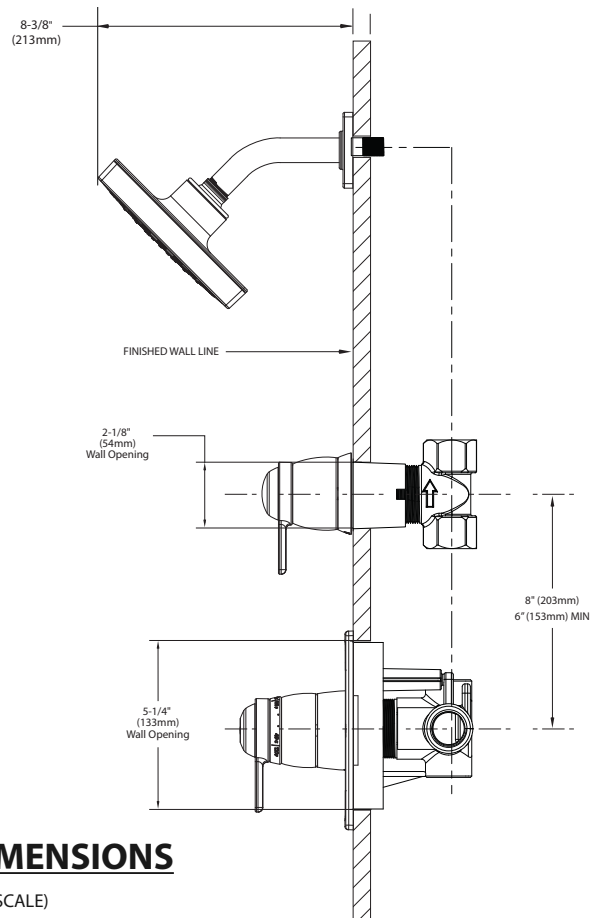
Models: TS3100 series - Valve Trim only
TS7115 series - Shower Trim only

Valves: S3371 - thermostatic
S3600 - volume control



CRITICAL DIMENSIONS

(DO NOT SCALE)



TO ORDER PARTS CALL: 1-800-BUY-MOEN
www.moen.com