

# Lindor™ Technical Specification

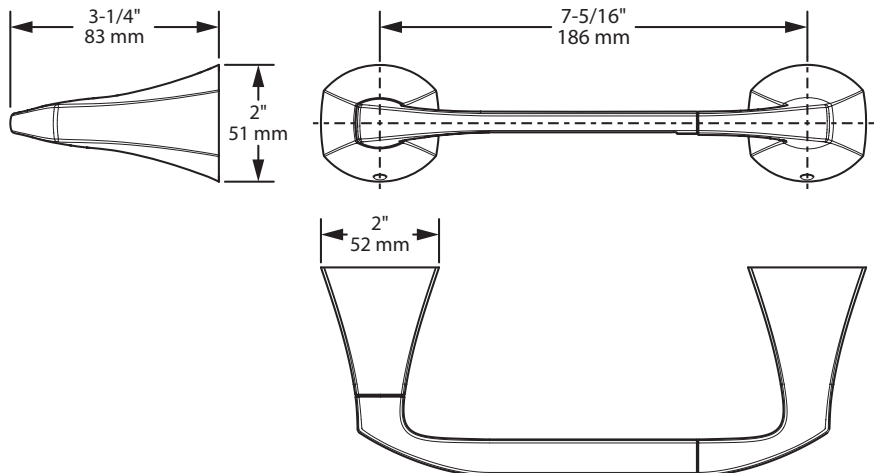
## Pivoting Paper Holder

# MY8708

### Stock Numbers:

- **MY8708CH – Paper Holder**  
Chrome
- **MY8708BN – Paper Holder**  
Brushed Nickel
- **MY8708BL – Paper Holder**  
Matte Black

### Dimensions:



### Materials:

Pivoting Paper Holder is constructed of zinc.

### Installation Instructions:

- Please refer to production instruction sheets for installation steps.

### Cleaning Instructions:

To preserve the fine finish of this product, clean only with a soft damp cloth. Dry well. Do not use commercial or abrasive cleaners.

**Stock Number:** \_\_\_\_\_ **Pivoting Paper Holder**  
**By Moen Incorporated**

# MOEN®

25300 AL MOEN DRIVE • NORTH OLMSTED, OH 44070  
CORPORATE HEADQUARTERS: (800) 321-8809 • FAX: (800) 848-6636  
INTERNATIONAL: (440) 962-2000 • FAX: (440) 962-2726  
CUSTOMER SERVICE (USA): 800-882-0116 • FAX: (888) 379-2720  
WWW.MOEN.COM

© 2020 Moen Incorporated. Moen is a registered trademark and Lindor is a trademark of Moen Incorporated. All rights reserved.