

382-386 SUMMIT®

MANSFIELD®

Elongated Front, Vitreous China, Two-Piece Toilet

FEATURES

- High performance MagnaFlush™ flushing technology
- SmartFasten™ 3-bolt tank-to-bowl connection
- 1.6 gpf / 6.0 lpf low water consumption
- Elongated front bowl
- PuraClean® easy-to-clean glaze
- Pilot operated anti-siphon fill valve
- 3" Rigid Flapper flush valve – requires less force to flush, is more consistent and uses a simple universal repair part/seal
- Model 57 chrome-plated, metal trip lever
- 12" rough-in
- 2" glazed trapway
- The Mansfield® limited lifetime warranty on china;
Five-year limited warranty on tank trim
- Available in White, Biscuit and Bone



MODEL 382-386

Toilet seat not included

Available as CTK




ELONGATED



CTK

COMPONENTS

MODEL #	DESCRIPTION	CODES/STANDARDS
382-386	Elongated front, two-piece toilet. Less toilet seat and supply. Specify color.	
382	Elongated front toilet bowl only. Less toilet seat and supply. Specify color.	
386	Tank and cover only, with left hand, front-mount, chrome-plated, metal trip lever. Less supply. Specify color.	

TANK TRIM & REPLACEMENT PARTS

57	Trip lever - chrome-plated, metal trip lever, left hand
2037-1212	Summit® 1.6 rigid flapper flush valve
2206	Pilot operated fill valve
630-0030	Replacement flush valve seal
386-LID	Tank lid



382-386 SUMMIT®



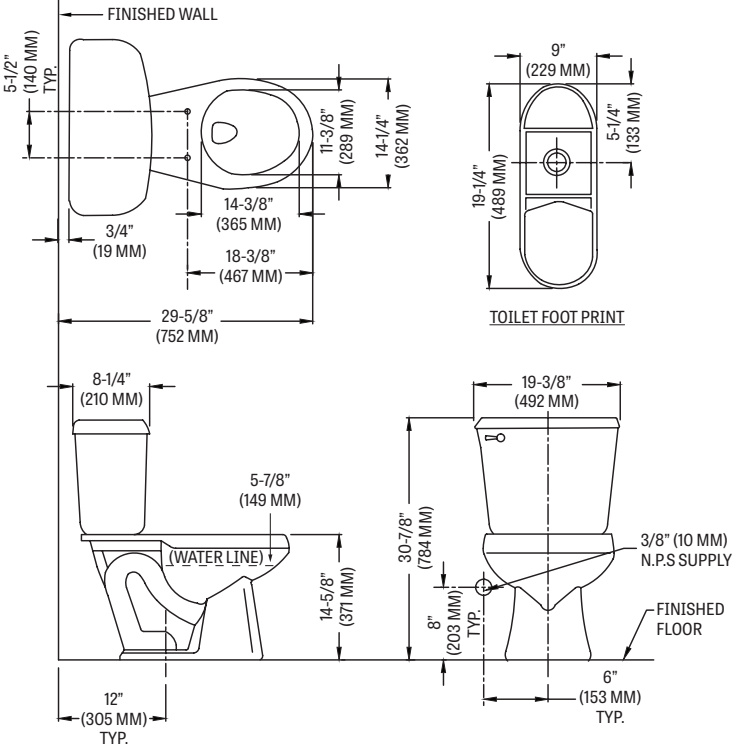
Elongated Front, Vitreous China, Two-Piece Toilet

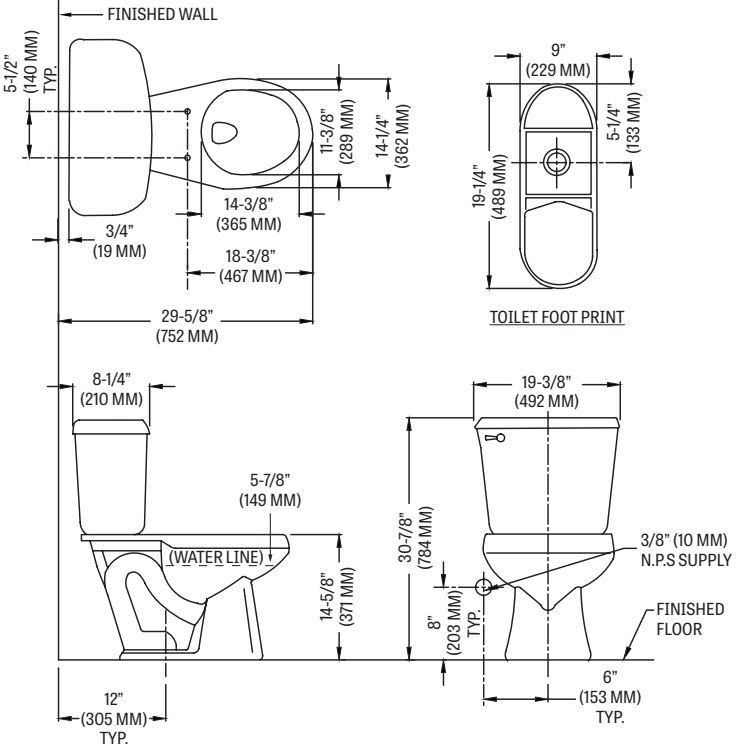
SPECIFICATIONS

MODEL #	DESCRIPTION	CODES/STANDARDS
382-386	Elongated front, (1.6 gpf/6.0 lpf) two-piece toilet	

MATERIAL	Vitreous China
WATER PRESSURE RANGE	20 to 80 PSI
FLUSH SYSTEM	MagnaFlush™ flushing technology
WATER USAGE	1.6 gpf / 6.0 lpf
WATER SURFACE AREA	9' X 10'
ROUGH-IN	12'
MAP RATING	1,000 grams

TRAP DIAMETER	2'
TRAP SEAL	2-1/4'
SHIPPING WEIGHT	Model 382 - 50 lbs. (22.6 kg) Model 386 - 36 lbs. (16.3 kg)
WARRANTY	Vitreous China - Limited Lifetime Tank Trim - Limited Five Year

TANK OPTIONS		TECHNICAL INFORMATION
386RH	Variation of model 386, with right hand trip lever.	<p>Note: these dimensions are nominal and subject to change without notice.</p> 
386LT	Variation of model 386, with tank liner.	



Fixture performance and specifications meet or exceed ASME A112.19.2-2013/CSA B45.1-13 standards, and other state and local codes.

