

KUBISTA Lavatory Item #H264UN

Features:

- Solid surface lavatory with overflow
- Under-mounted installation
- Recommended oversized European drain (i.e. 7100-16OF or 7100-12)
- Current cut-out template can be requested
- Material is heat, stain, scratch, chemical, and impact resistant
- Can be installed to meet ADA compliance
- Third party certified to meet and exceed the following standards/codes:
 - CSA B45.5-11/Z124-2011
 - CMR 248 (Mass. Code of Approval)
- Weight: 34 lbs



Finish Options:

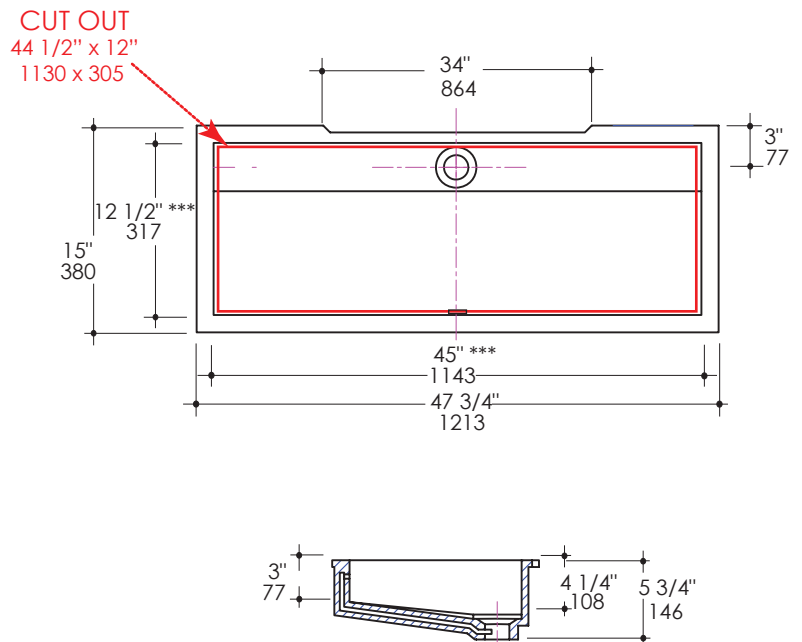
- 001M - Matte White (solid surface)
- 001G - Gloss White (solid surface)

Faucet Hole Options:

- None

Product Specifications:

***Cut-out must have min. 1/4" overhang on all sides.
Please use CAD file for template information.
It is best to use the actual product to make correct cut-outs.



Notes:
Drawings provided herein are meant to give the user an idea of the product and are not made to scale. The size in inches is rounded up to the nearest 1/16". Slight variances can often occur with porcelain and woodwork. Therefore, LACAVA will not be held responsible for any cutouts, countertops, or furniture made without the actual product or template from LACAVA. Differences in color, grain, appearance and texture are inherent in all natural woodwork, and should be expected. Variances in these qualities are not deemed manufacturing defects, and will not be accepted as valid reasons to return or exchange any LACAVA woodwork. Plumbing specifications are only a guideline and may need to be altered based on the application. Product specifications are not binding to the manufacturer and can be changed without notice at any time. Please refer to your shipment for product final sizes.

LACAVA is committed to the highest level of customer service. Please feel free to contact us at 1-888-522-2823 (toll free) or by email at info@lacava.com for technical assistance or any general inquiries.