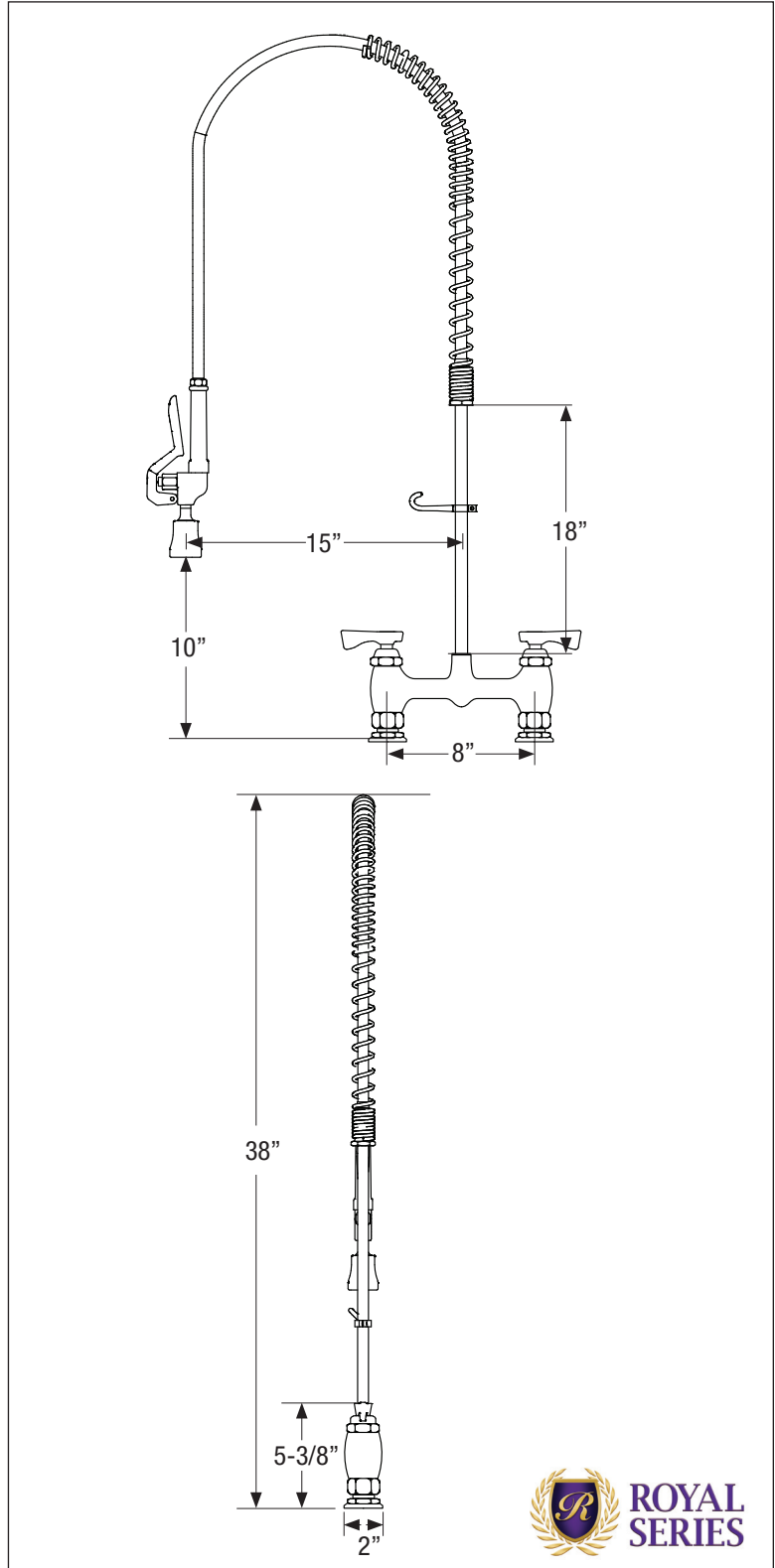




Model: 17-208WL Item #: _____ Date: _____
 Project: _____ Qty: _____ Approved By: _____

8" Center Deck Mount Pre-Rinse

ROYAL SERIES PLUMBING



Standard Features

- Pre-assembled to cut installation time
- Includes wall bracket with mounting hardware
- 1/4 turn ceramic cartridge valves
- 44" stainless steel hose with grip
- Interchangeable with most brands
- Built-in check valves
- Built for high volume
- Full replacement parts available

Specifications

- 8" Center Deck Mount with 1/2" NPT female inlets
- 38" high w/ 15" overhang
- 1.2 GPM spray head
- Temperature range of 40° to 180°
- Riser Pipe with Hook: 3/8" NPT x 18"
- Mounting Kit Included:
 - 1/2" NPT x 1-1/2" male nipples with locknuts
- Shipping Weight: 15 lbs.
- Case Quantity: 3

Product Compliance

- NSF/ANSI 61-G
- ASME A112.18.1/CSA B125.1
- City of Los Angeles
- CEC Listed
- Commonwealth of Massachusetts



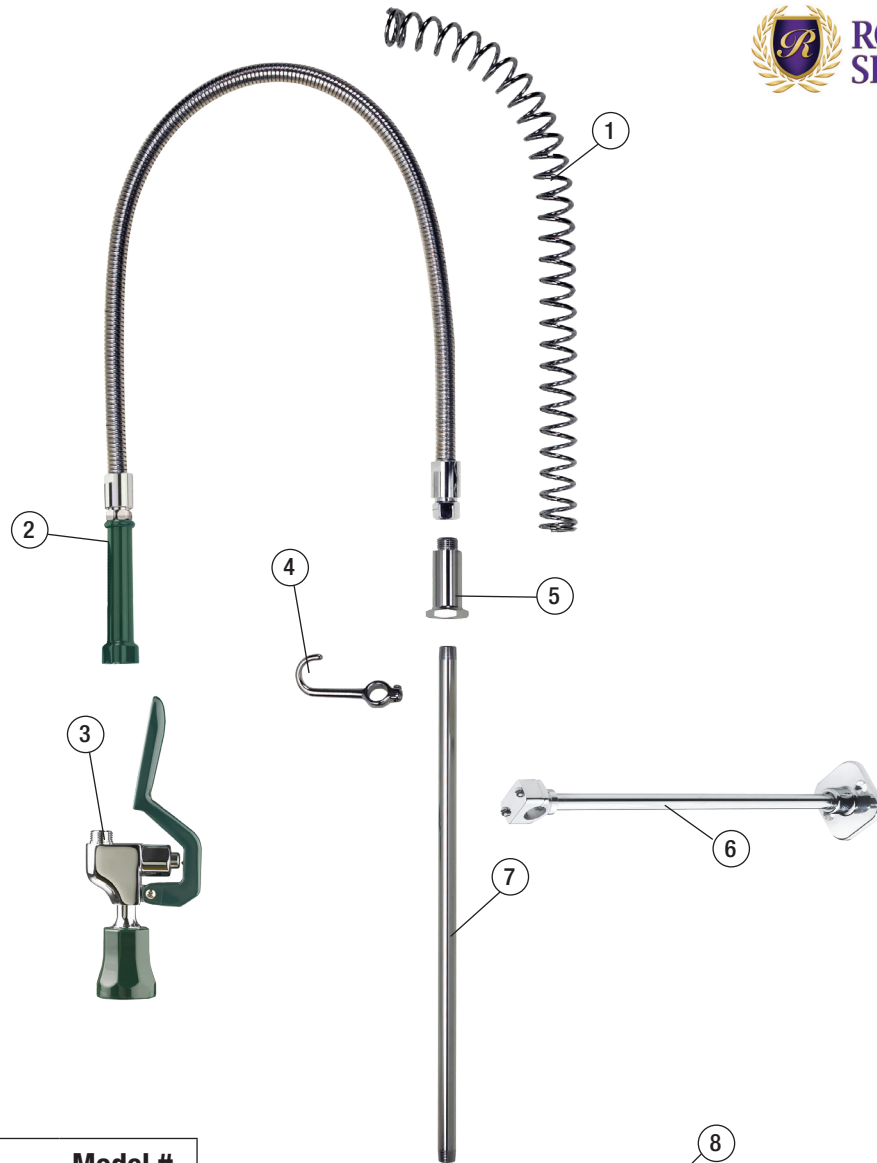
Warning: This product can expose you to chemicals including lead and lead compounds which are known to the State of California to cause cancer and birth defects or other reproductive harm. For ore information go to www.P065Warnings.ca.gov.



Model: 17-208WL Item #: _____ Date: _____
 Project: _____ Qty: _____ Approved By: _____

8" Center Deck Mount Pre-Rinse

ROYAL SERIES PLUMBING



Replacement Parts

NO.	Item	Model #
1	24" Spring	21-162
2	44" Hose w/ Grip	21-133L
3	Spray Head	21-129L
4	Hook Assembly	21-165
5	Spring Retainer	21-161L
6	Wall Bracket	21-137
7	18" Riser	21-160L
8	8" Center Deck Mount Pre-Rinse Body	21-208L



C US
ASME A112.18.1/CSA B125.1



Certified to
NSF/ANSI 61-G