



Model: **15-412L-W-\_\_** Item #: \_\_\_\_\_ Date: \_\_\_\_\_  
 Project: \_\_\_\_\_ Qty: \_\_\_\_\_ Approved by: \_\_\_\_\_

**Royal Series 4" Raised Deck Mount with 12" Swing Spout, VR Wrist Blade Handles**

**Royal Series Plumbing**



**SPECIFICATIONS**

|             |                               |
|-------------|-------------------------------|
| Water Inlet | 1/2" NPT                      |
| Temp. Range | 40°F - 180°F                  |
| Rough In    | 7/8" Round Holes on 4" Center |
| Material    | Chrome Plated Brass           |
| Weight      | 4 lbs.                        |

**PRODUCT COMPLIANCE**

- Meets ANSI A117.1 (ADA)
- California Proposition 65



**DESCRIPTION**

- 4" Center Raised Deck Mount Faucet with 12" Swing Spout, VR Wrist Blade Handles, Polished Chrome Finish

**STANDARD FEATURES**

- 1/4 Turn High Performance Ceramic Cartridge Valves with Integral Check
- Durable Full Range Swing Spout with Double O-ring Construction
- Vandal Resistant Wrist Blade Handles
- Warranty: 3 Years

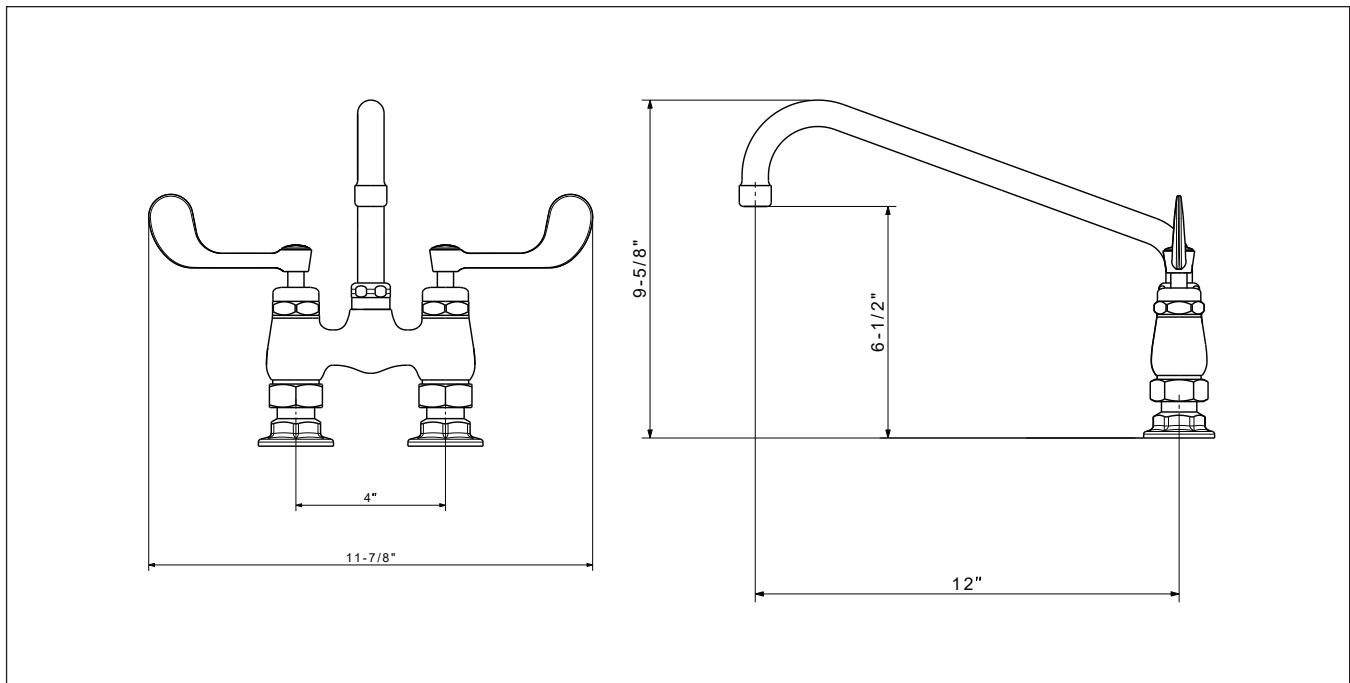
**AERATORS**

| Standard Aerator                          | Suffix |
|---|--------|
| <input type="checkbox"/> 0.20 GPM Aerator | E1     |
| <input type="checkbox"/> 0.50 GPM Aerator | E2     |
| <input type="checkbox"/> 1.00 GPM Aerator | E3     |
| <input type="checkbox"/> 1.50 GPM Aerator | E4     |
| <input type="checkbox"/> 1.80 GPM Aerator | E5     |
| <input type="checkbox"/> 2.20 GPM Aerator | E6     |

| Vandal Resistant Aerator                  | Suffix |
|---|--------|
| <input type="checkbox"/> 0.35 GPM Aerator | G1     |
| <input type="checkbox"/> 0.50 GPM Aerator | G2     |
| <input type="checkbox"/> 1.00 GPM Aerator | G3     |
| <input type="checkbox"/> 1.50 GPM Aerator | G4     |

| Laminar Flow Outlet                      | Suffix |
|--|--------|
| <input type="checkbox"/> 0.50 GPM Outlet | F1     |
| <input type="checkbox"/> 1.50 GPM Outlet | F2     |

| Vandal Resistant Laminar Flow Outlet     | Suffix |
|--|--------|
| <input type="checkbox"/> 0.35 GPM Outlet | H1     |
| <input type="checkbox"/> 0.50 GPM Outlet | H2     |
| <input type="checkbox"/> 1.00 GPM Outlet | H3     |
| <input type="checkbox"/> 1.50 GPM Outlet | H4     |



**WARNING:** Plumbing connections should be made by qualified personnel who will observe all applicable plumbing, sanitary and safety codes.  
**WARNING:** This product can expose you to chemicals including lead and lead compounds which are known to the State of California to cause cancer and birth defects or other reproductive harm. For more information go to [www.P65Warnings.ca.gov](http://www.P65Warnings.ca.gov).