

Features

- Includes Bancroft® 2.5-gpm multifunction handshower, 60" metal hose, 30" slidebar and traditional slidebar trim.
- Advanced spray engine provides three experiences: full coverage, pulsating massage and silk spray.
- Full coverage spray produces an encompassing spray for everyday use and utilizes Katalyst® air induction to create large, full drops.
- Pulsating massage spray targets sore muscles to ease away aches and pains.
- Silk spray releases a dense, luxurious spray ideal for rinsing.
- Thumb tab allows for a smooth transition between sprays.
- Combination of balance, weight, grip and angle makes this handshower comfortable and easy to use.
- MasterClean™ sprayface resists hard water buildup and is easy to clean.
- 2.5 gpm (gallons per minute) flow rate.
- 30" slidebar features adjustable mounting brackets for installation flexibility.
- Coordinates with Bancroft® and Devonshire® faucets and accessories.

Material

- KOHLER finishes resist corrosion and tarnishing.



ADA OBC

Codes/Standards



ASME A112.18.1/CSA B125.1
DOE - Energy Policy Act 1992
ADA
ICC/ANSI A117.1
OBC

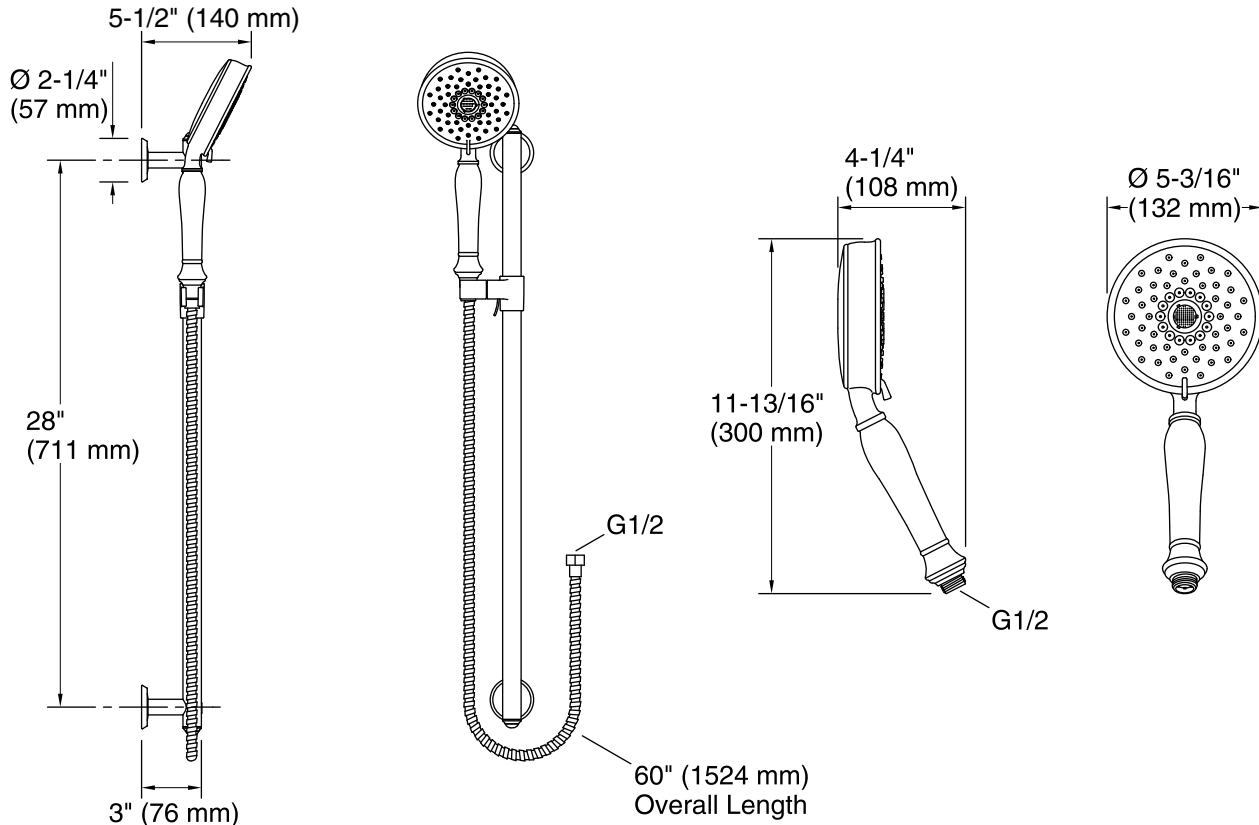
KOHLER® Faucet Lifetime Limited Warranty

See website for detailed warranty information.

Available Colors/Finishes

Color tiles intended for reference only.

Color	Code	Description
	CP	Polished Chrome
	BN	Vibrant® Brushed Nickel



Technical Information

All product dimensions are nominal.

Handshower:

Rated maximum flow: 2.5 gal/min (9.5 l/min)

Pressure: 45 psi (3.1 bar)

Pressure and Supply Requirements

Fixture pressure min 45 psi (310.3 kPa)
(static):

Fixture Supply Requirements

Min static pressure: 45 psi (310.3 kPa)

Min flow rate: 2.5 gpm (9.5 lpm)

Notes

Install this product according to the installation instructions.

IMPORTANT! The slide bar must be mounted to stud framing supports at both the top and bottom mounting locations. Plastic wall anchors will not support the slide bar. Do not use or depend on plastic wall anchors to attach the slide bar.

Plumbing codes may require that an atmospheric vacuum breaker be installed in-line to handshowers. Consult with local codes.

ADA, OBC compliant when installed to the specific requirements of these regulations.