

## Features

- Bright chrome soap dish with drainage holes
- Solid brass construction for durability and reliability
- KOHLER finishes resist corrosion and tarnishing, exceeding industry durability standards two times
- For use with Brockway™ wash sink



## Codes/Standards

None Applicable


## KOHLER® One-Year Limited Warranty

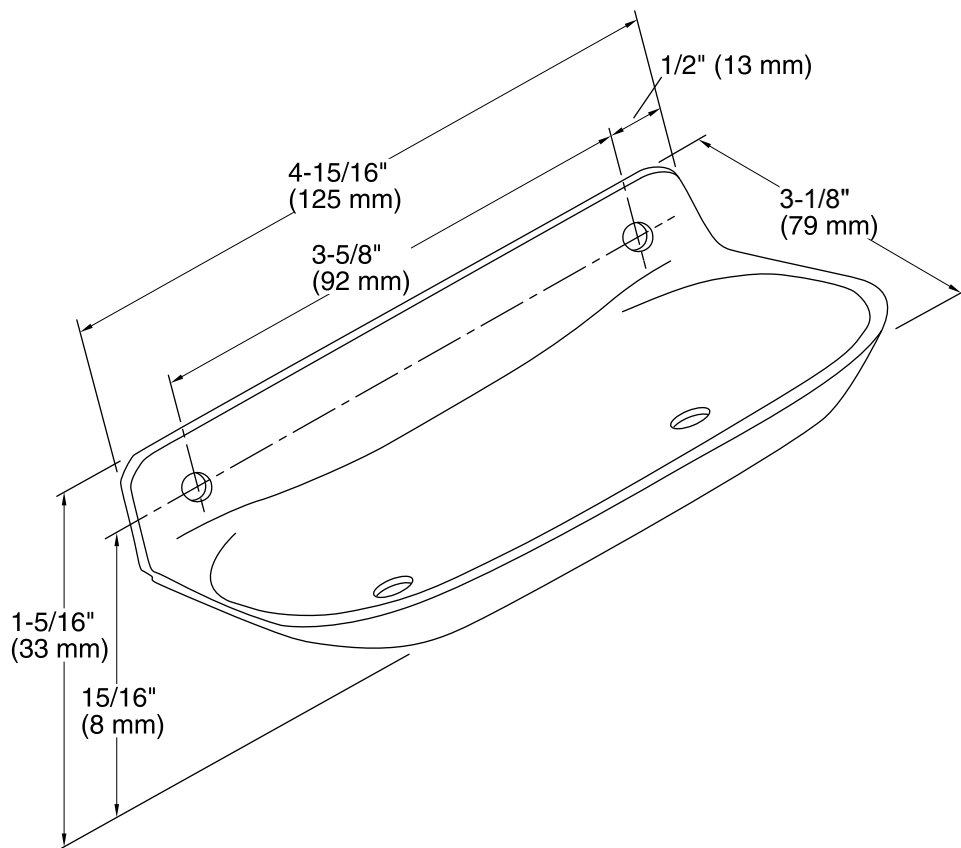
See website for detailed warranty information.

## Available Colors/Finishes

*Color tiles intended for reference only.*

Color	Code	Description
-------	------	-------------

	BC	Bright Chrome
--	----	---------------



## Technical Information

All product dimensions are nominal.

## Notes

Install this product according to the installation guide.

**CAUTION:** Risk of personal injury. Do not install these products in any area where they are likely to be used inadvertently as a grab bar or support bar. These products are not designed or intended for use as a grab bar or support bar.