

Features

- Two lever handles offer separate control of hot and cold water
- 8-5/8" (219 mm) spout reach
- 1.2 gpm (4.5 lpm) maximum flow rate at 60 psi (4.14 bar)
- Fluid design lines for ease of cleaning
- Coordinates with other products in the Parallel collection

Material

- Solid-brass construction for durability and reliability
- KOHLER finishes resist corrosion and tarnishing

Installation

- Wall-mount

Required Products/Accessories

For wall-mount installation

K-410-K Wall-mount Valve

Adapters, Rough-in and Extension Kits

1349542

Range: 2-1/2" (64 mm) -
3-1/2" (89 mm)

Recommended Products/Accessories

- K-23726 Drain treatment
- K-23723 Faucet cleaner
- K-21897 Double toilet paper holder
- K-23524 18" towel bar
- K-23525 24" towel bar
- K-23526 Towel arm
- K-23527 Vertical toilet paper holder
- K-23528 Pivoting toilet paper holder
- K-23529 Robe hook

Optional Products/Accessories

- K-7107 Decorative Drain
- K-7108 Decorative Drain
- K-7124 Pop-Up Clicker Drain
- K-7124-A Pop-Up Clicker Drain
- K-7129 Drain
- K-7129-A Drain
- K-8801 Sink drain and strainer with tailpiece
1008176



ADA

CSA B651

OBC

Codes/Standards

ASME A112.18.1/CSA B125.1

NSF/ANSI/CAN 61

NSF/ANSI/CAN 372

All applicable US Federal and State material regulations

DOE - Energy Policy Act 1992

EPA WaterSense®

California Energy Commission (CEC)

ADA

ICC/ANSI A117.1

CSA B651


OBC

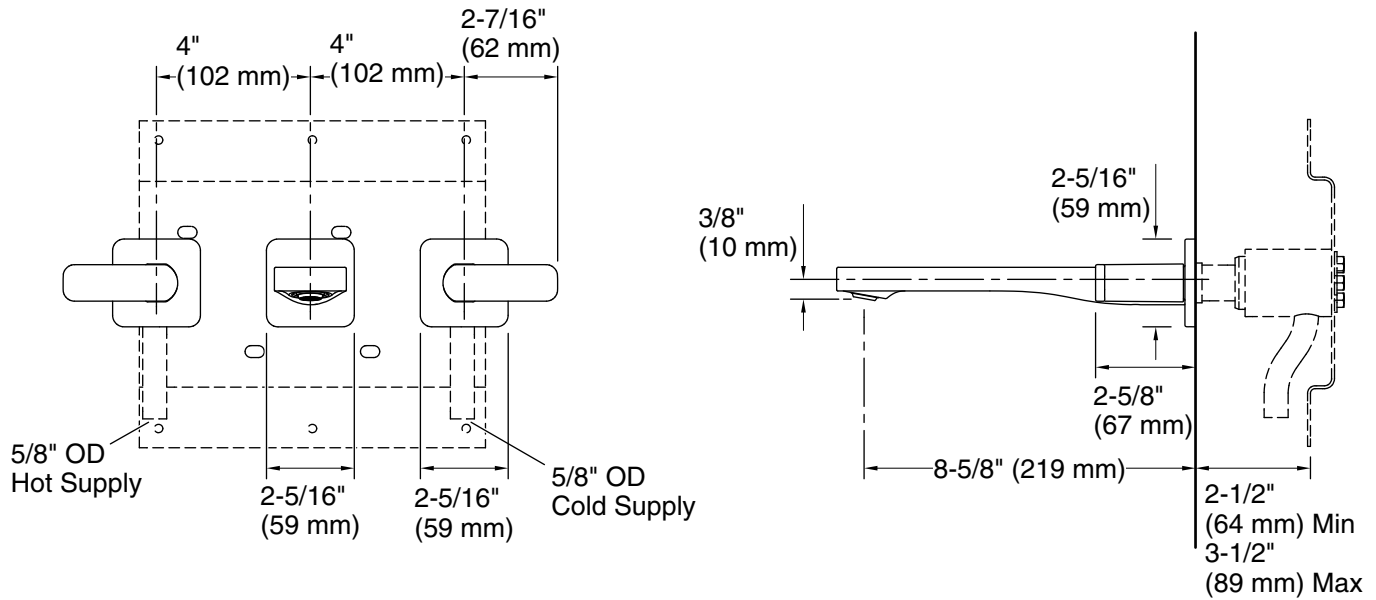
KOHLER® Faucet Lifetime Limited Warranty

See website for detailed warranty information.

Available Colors/Finishes

Color tiles intended for reference only.

Color	Code	Description
	CP	Polished Chrome
	BN	Vibrant® Brushed Nickel
	BL	Matte Black
	2MB	Vibrant® Brushed Moderne Brass



Technical Information

All product dimensions are nominal.

Faucet:

Flow rate: 2 gal/min (7.6 l/min)

Pressure: 60 psi (4.1 bar)

Drain included: No

Notes

Install this product according to the installation instructions.

ADA, OBC, CSA B651 compliant when installed to the specific requirements of these regulations.