

Features

- Adjustable mounting brackets offer installation flexibility.
- Adjustable angle of handshower.
- Metal construction.
- KOHLER finishes resist corrosion and tarnishing.
- Coordinates with Awaken handshowers, showerheads, and accessories.
- Wall mount.



ADA CSA B651 OBC

Codes/Standards




ASME A112.18.1/CSA B125.1
ADA
ICC/ANSI A117.1
CSA B651
OBC

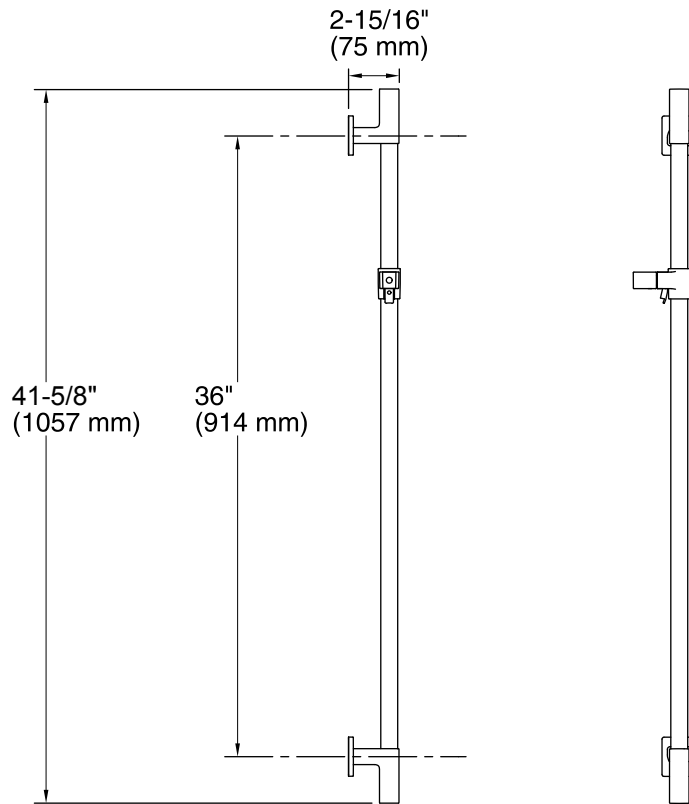
KOHLER® Faucet Lifetime Limited Warranty

See website for detailed warranty information.

Available Colors/Finishes

Color tiles intended for reference only.

Color	Code	Description
	CP	Polished Chrome
	BN	Vibrant® Brushed Nickel
	2BZ	Oil-Rubbed Bronze



Technical Information

All product dimensions are nominal.

Material: Brass/Plastic

Notes

Install this product according to the installation guide.

ADA, OBC, CSA B651 compliant when installed to the specific requirements of these regulations.