

Features

- For use with the K-18829 2" x 4" in-wall tank and carrier system
- Auto-flush technology monitors a person's use time and determines if a 0.8 or 1.6 gpf (3.0 or 6.0 lpf) flush volume is needed
- Large flush actuator plate is easily removed, allowing access to inner tank and flush valve for service
- Soft light from behind perimeter of flush plate serve as a nightlight in low-light conditions
- Manual backup flush button in the event of power failure
- Fingerprint-resistant finish stays clean longer

Material

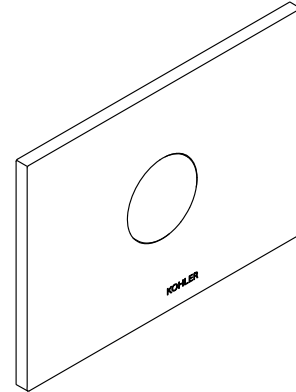
- Premium material construction for durability and reliability
- KOHLER finishes resist corrosion and tarnishing

Installation

- Requires K-8108 Pneumatic Conversion In-Wall Kit (sold separately)

Required Products/Accessories

- For wall-mount installation
- K-26572 Power accessory kit for touchless flush actuator plates
 - K-8108 Pneumatic conversion kit for in-wall tank



ADA

CSA B651

OBC

Codes/Standards

ADA
ICC/ANSI A117.1
CSA B651
OBC

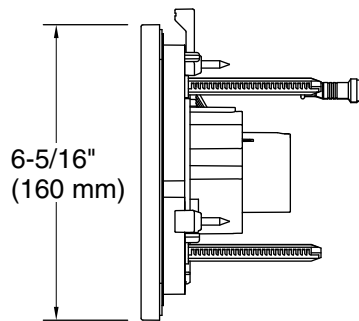
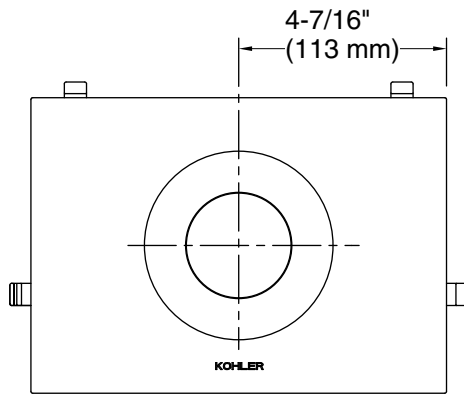
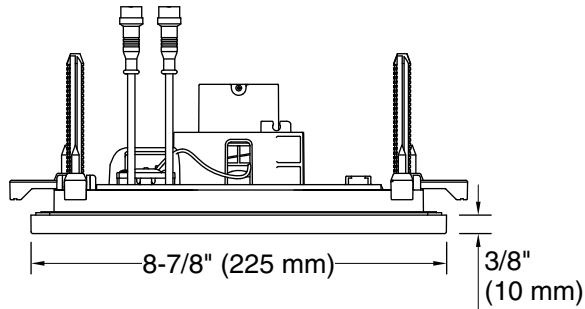
KOHLER® Toilets and Seats Limited Warranty

See website for detailed warranty information.

Available Colors/Finishes

Color tiles intended for reference only.

Color	Code	Description
	BS	Brushed Stainless



Technical Information

All product dimensions are nominal.

Installation Type: Wall-mount

Material: Plastic

Notes

ADA, OBC, CSA B651 compliant when installed to the specific requirements of these regulations.