

Features

- 18-inch minimum base cabinet width.
- Single bowl.
- 9-inch depth.
- Single faucet hole.
- Includes installation hardware and a bottom sink rack.
- Single-hole faucet drilling

Material

- Handcrafted from 18-gauge stainless steel.

Installation

- Top-mount or under-mount.

Recommended Products/Accessories

- K-8801 Sink Strainer
- K-8799 Sink Strainer

Optional Products/Accessories

- 1177161 Installation Clip Kit

Included Components

Product consists of:

- K-2993 Sink Rack

Additional Components:

- Cut-out template
- Hardware kit – top-mount



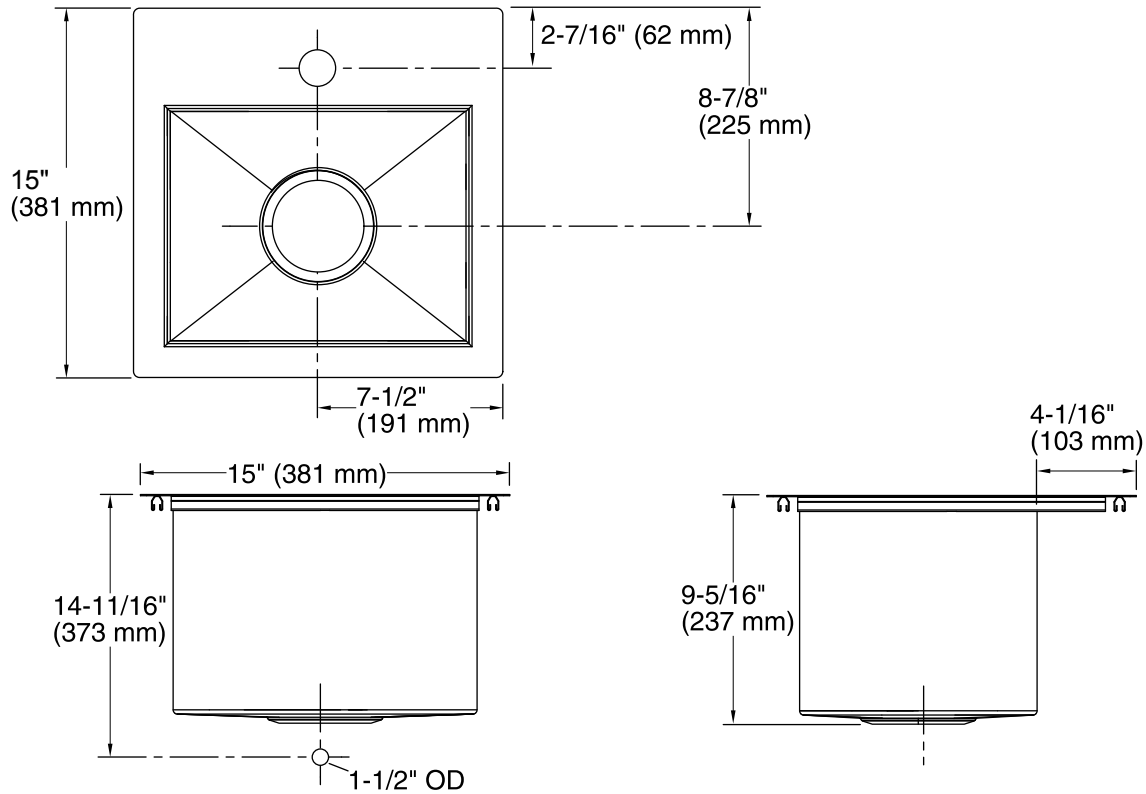
ADA

Codes/Standards

ASME A112.19.3/CSA B45.4
ADA
ICC/ANSI A117.1

Lifetime Limited Warranty for KOHLER® Stainless Steel Sinks

See website for detailed warranty information.



Technical Information

All product dimensions are nominal.

Bowl configuration:	Single
Installation:	Top-mount, Under-mount
Min. base cabinet width:	18" (457 mm)
Bowl area (Only):	Length: 12-1/4" (311 mm) Width: 9-9/16" (243 mm) Bowl depth: 9" (229 mm)
Number of deck holes:	1
Faucet hole(s):	1-7/16" (37 mm)
Drain hole:	3-5/8" (92 mm)
Template:	1161548-7, required, included

Notes

Install this product according to the installation instructions.

ADA compliant when installed to the specific requirements of these regulations.

ADA permits a parallel approach to wet bars.