

Features

- 36-inch minimum base cabinet width.
- Double equal bowls.
- 9-inch depth.
- No faucet holes.
- SilentShield® sound-absorption technology offers quieter performance.
- Slim divide offers a sophisticated look and maximizes basin space.
- Includes installation hardware, bottom sink rack, and bamboo cutting board.

Material

- Handcrafted from 16-gauge stainless steel.

Installation

- Under-mount

Recommended Products/Accessories

- K-3142 Sink Rack
- K-6377 Sponge Caddy
- K-6378 Kitchen Brush Caddy
- K-6379 Kitchen Squeegee
- K-6382 Disinfecting Wipes Dispenser
- K-6383 Soap Dispenser
- K-8618 Paper Towel Holder
- K-8619 Flexible Kitchen Mat
- K-8801 Sink Strainer
- K-8799 Sink Strainer
- K-8624 Dish Scraper

Optional Products/Accessories

- K-6133 Wine Glass Rack

Included Components

Product consists of:

- K-3140 Cutting Board
- K-3142 Sink Rack
- 91915 Hardware Kit

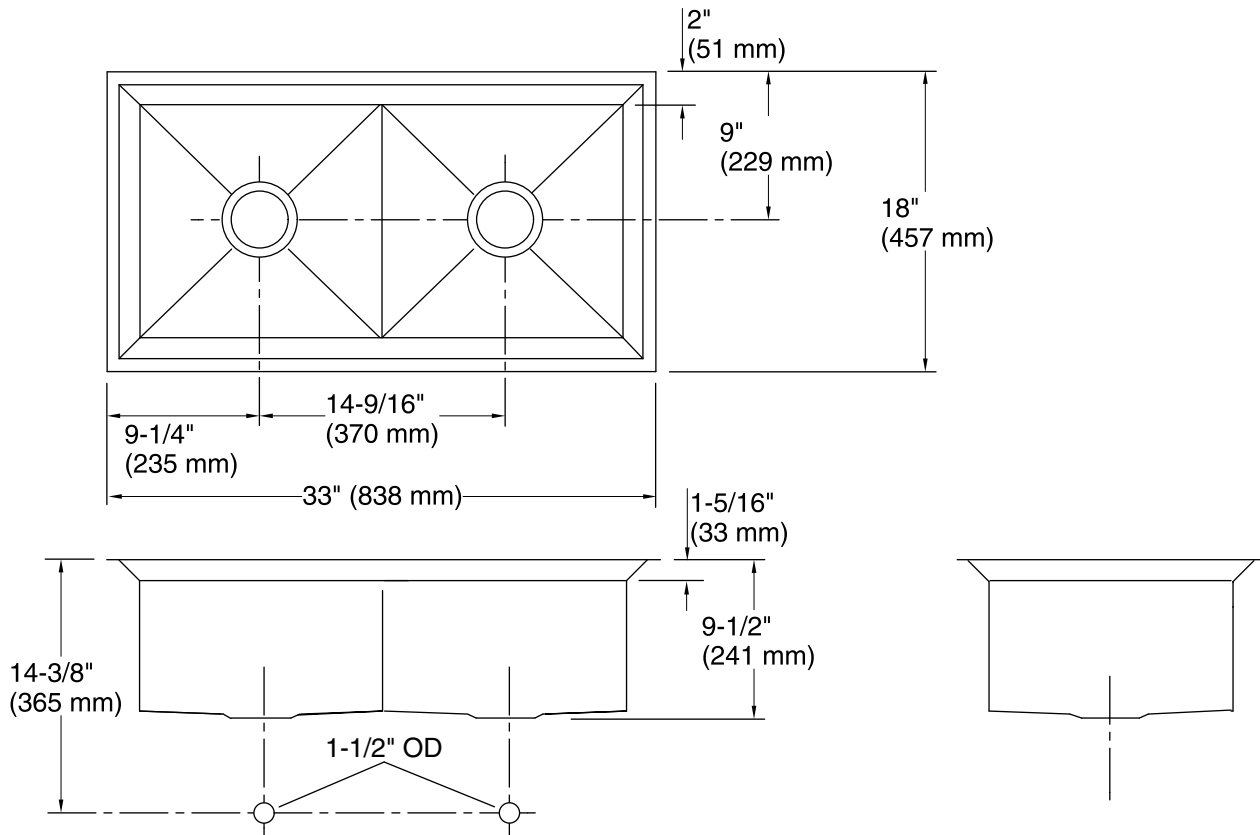


Codes/Standards

ASME A112.19.3/CSA B45.4

Lifetime Limited Warranty for KOHLER® Stainless Steel Sinks

See website for detailed warranty information.



Technical Information

All product dimensions are nominal.

Bowl configuration: Double equal

Installation: Under-mount

Min. base cabinet width: 36" (914 mm)

Bowl area (Left): Length: 14-7/16" (367 mm)
Width: 14" (356 mm)
Bowl depth: 9-3/16" (233 mm)

Bowl area (Right): Length: 14-7/16" (367 mm)
Width: 14" (356 mm)
Bowl depth: 9-3/16" (233 mm)

Drain hole: 3-5/8" (92 mm)

Template: 1021992-7, required, included

Notes

Install this product according to the installation instructions.