

### Features

- Eight Flexjet® hydromassage jets can be individually adjusted for water flow and direction.
- Built-in heater.
- Comfort Depth® design offers a convenient 19" step-over height while retaining the same depth as a standard 21" bath.
- Generous 72" length provides spacious bathing for up to two people.
- Integral lumbar support.
- Multiple pump location options give you more choices for installation and access. (See specification sheet for pump locations.)
- Coordinates with other products in the Memoirs collection.

### Material

- Acrylic.

### Technology

- Whirlpool jets recirculate water, providing targeted relief for the bather.

### Installation

- Drop-in.
- Center rear drain.

### Required Products/Accessories

K-9698 Flexjet® Whirlpool Trim Kit

### Recommended Products/Accessories

K-1491 Bath/Whirlpool Pillow  
K-1601 Bath/Whirlpool Footstop  
K-1703 Whirlpool Remote Control  
K-24916 Wireless Music Kit  
K-7161-AF 1-1/2" adjustable pop-up drain above- or through-floor

### Included Components

Additional Components:  
40" (1016 mm) cable



### Codes/Standards

ASME A112.19.7/CSA B45.10  
CSA B45.5/IAPMO Z124  
ASTM E162  
ASTM E662  
UL 1795  
CSA C22.2 No. 218.2




### KOHLER® Hydrotherapy Components Five-Year Limited Warranty

See website for detailed warranty information.

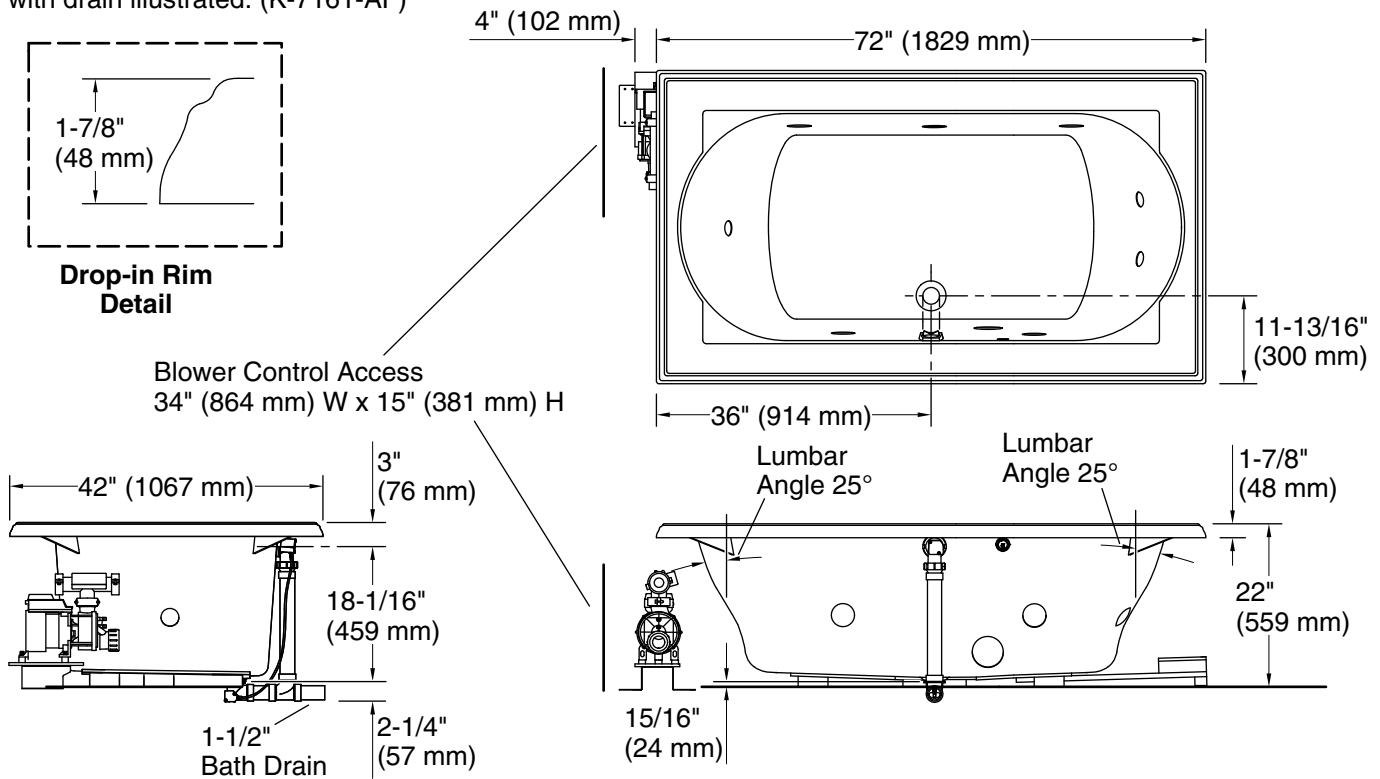
### Available Colors/Finishes

*Color tiles intended for reference only.*

Color	Code	Description
-------	------	-------------

	0	White
	96	Biscuit
	NY	Dune

No change in measurements if connected with drain illustrated. (K-7161-AF)



## Required Electrical Service

Two dedicated circuits required, protected with Class A Ground-Fault Circuit-Interrupter (GFCI). Outside North America, this device may be known as a Residual Current Device (RCD).

Pump: 120 V, 15 A, 60 Hz  
Heater: 120 V, 60 Hz

## Technical Information

All product dimensions are nominal.

Installation: Drop-in  
Basin area, bottom: 48" x 27" (1219 mm x 686 mm)  
Basin area, top: 60" x 30" (1524 mm x 762 mm)  
Weight: 135 lbs (61.2 kg)  
Minimum floor load: 45 lbs/ft<sup>2</sup> (219.7 kg/m<sup>2</sup>)  
Water depth: 16" (406 mm)  
Water capacity: 94 gal (355.8 L)  
Cutout: Drop-in, 70-1/2" x 40-1/2" (1791 mm x 1029 mm)  
Electrical component rating: Pump: 120 V, 7 A, 60 Hz  
Heater: 120 V, 12 A, 60 Hz

## Notes

Measure your actual product for rough-in details. Install this product according to the installation instructions.

The hot water supply should be 70% of the capacity of the bath or greater. Installations will vary.