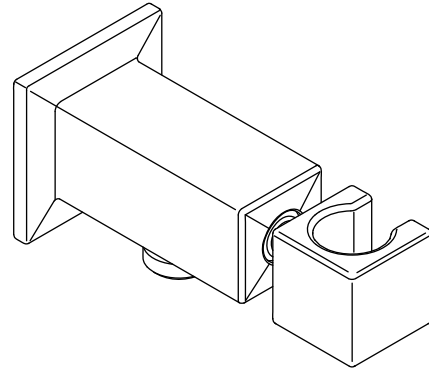


Features

- Metal construction
- Wall-mount installation
- Includes check valve for backflow prevention
- Slip-fit connection
- Pivots to position a handshower

HANDSHOWER HOLDER K-14791



Codes/Standards Applicable

Specified model meets or exceeds the following:

- ASME A112.18.1/CSA B125.1

Colors/Finishes

- CP: Polished Chrome
- Other: Refer to Price Book for additional colors/finishes

Specified Model

Model	Description	Colors/Finishes	
K-14791	Handshower holder	<input type="checkbox"/> CP	<input type="checkbox"/> Other_____

Product Specification

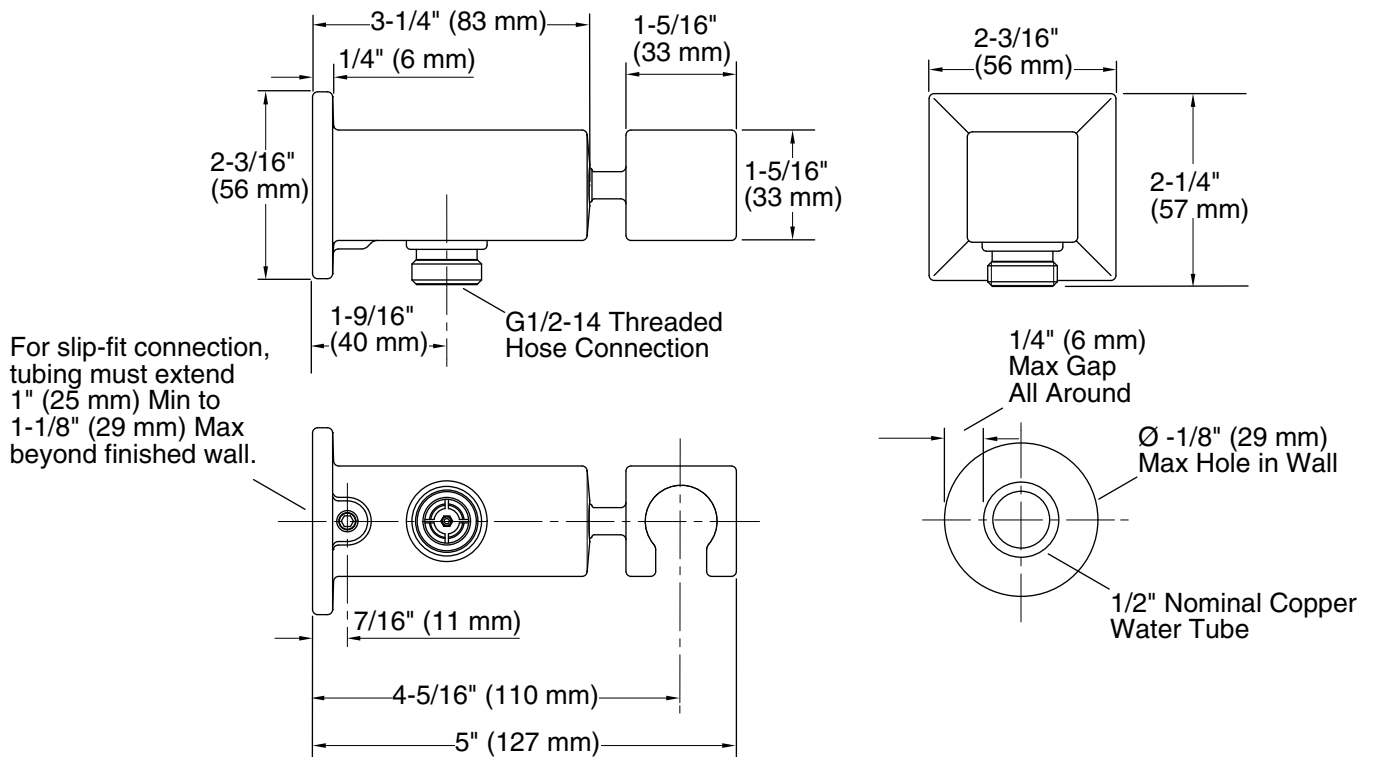
The handshower holder shall be made of metal construction. Product shall be wall-mount installation. Product shall include check valve for backflow prevention. Product shall have slip-fit connection. Product shall pivot to position a handshower. Product shall be Kohler Model K-14791-_____.

LOURE™

Installation Notes

Install this product according to the installation guide.

Product installs using a slip-fit connection to a 1/2" nominal copper tubing.



Product Diagram