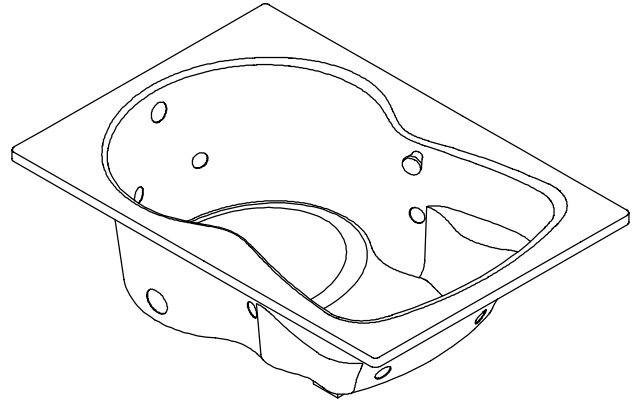


K-1192, K-1196

FEATURES

- 60" x 42" x 20"
- Acrylic
- System I - 3/4 hp pump with air switch actuator
- 5 factory-installed color-matched plastic Flexjets
- UL Listed
- With (K-1196) or without (K-1192) Softgrip grip handles
- Optional K-1278 front apron
- Optional K-1491 pillow
- Pump is supplied with a grounding-type plug-in cord



CODES/STANDARDS APPLICABLE

Specified model meets or exceeds the following:

- ANSI Z124.1
- ASME/ANSI A112.19.7M
- IAPMO/UPC
- Underwriters Laboratories (UL)
- CSA International B45

COLORS/FINISHES

- 0 White
- Other Refer to Fixtures Price Book for additional colors

Accessories:

- 0 White
- CP Polished Chrome
- PB Polished Brass
- NA None Applicable
- Other Refer to Faucets Price Book for additional finishes

SPECIFIED MODEL:

Model	Description	Colors/Finishes	
K-1192	Bath whirlpool without Softgrip grip handles	<input type="checkbox"/> 0 White	<input type="checkbox"/> Other_____
K-1196	Bath whirlpool with Softgrip grip handles	<input type="checkbox"/> 0 White	<input type="checkbox"/> Other_____

Recommended Accessories			
K-7161-AF	Drain	<input type="checkbox"/> CP	<input type="checkbox"/> PB <input type="checkbox"/> Other_____

Optional Accessories			
K-1278	Apron (removable)	<input type="checkbox"/> 0 White	<input type="checkbox"/> Other_____
K-9695	Flexjet trim kit (metal finishes)	<input type="checkbox"/> CP <input type="checkbox"/> PB	<input type="checkbox"/> Other_____
K-1177	Vinyl tiling-in bead (use when wall material contacts any top surface of bath)	<input type="checkbox"/> NA	
K-1491	Pillow	<input type="checkbox"/> 0 White	<input type="checkbox"/> Other_____

PRODUCT SPECIFICATION:

The bath whirlpool shall be 60" in length, 42" in width, and 20" in height. Bath whirlpool shall be made of acrylic. Bath whirlpool shall have System I - 3/4 hp pump with air switch actuator. Bath whirlpool shall have 5 factory-installed color-matched plastic Flexjets. Bath whirlpool shall be UL Listed. Bath whirlpool shall be with (K-1196) or without (K-1192) Softgrip grip handles. Bath whirlpool shall have optional K-1278 front apron. Bath whirlpool shall have optional K-1491 pillow. Bath whirlpool pump shall be supplied with a grounding-type plug-in cord. Bath whirlpool shall be Kohler Model K-_____-_____.

SYNCHRONY™

REQUIRED ELECTRICAL SERVICE

Dedicated circuit required, protected with Class A Ground-Fault Circuit-Interrupter (GFCI):	
Pump/control	120 V, 15 A, 60 Hz

PRODUCT INFORMATION

Fixture*:	basin area	top area	weight	
Bathing well	42" x 25"	52" x 34"	105 lbs.	
	water depth	capacity		
To overflow	14"	63 gal.		
* Approximate measurements for comparison only.				
Pump:	HP	V	Hz	A
1-speed	3/4	120	60	10.5

INSTALLATION NOTES

NOTICE: Unless otherwise specified, floor support under whirlpool must provide for a minimum of 80 lbs./square foot loading.

If installing a rim-mount faucet, make sure there is no interference with drain overflow and circulating system before drilling any holes. Consult local and national codes for minimum air gap requirements if installing a spout on the faucet deck.

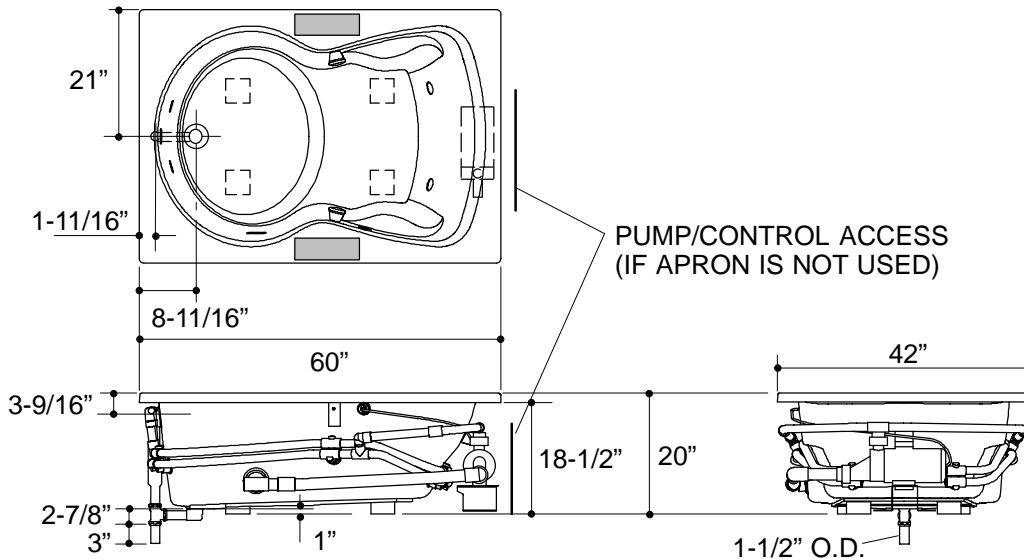
The apron must be installed before the finish floor and wall materials are installed.

Each pump is supplied with grounding-type plug-in cord. Locate the outlet behind the whirlpool, and within 24" of the pump.

Roughing-In Notes

No change in measurements if connected with drain illustrated.

Cut-out	58" x 40"	
Faucet area		recommended
Minimum access panel:		
Pump/control	20" W x 15" H	required



1.25>132

PRODUCT DIAGRAM