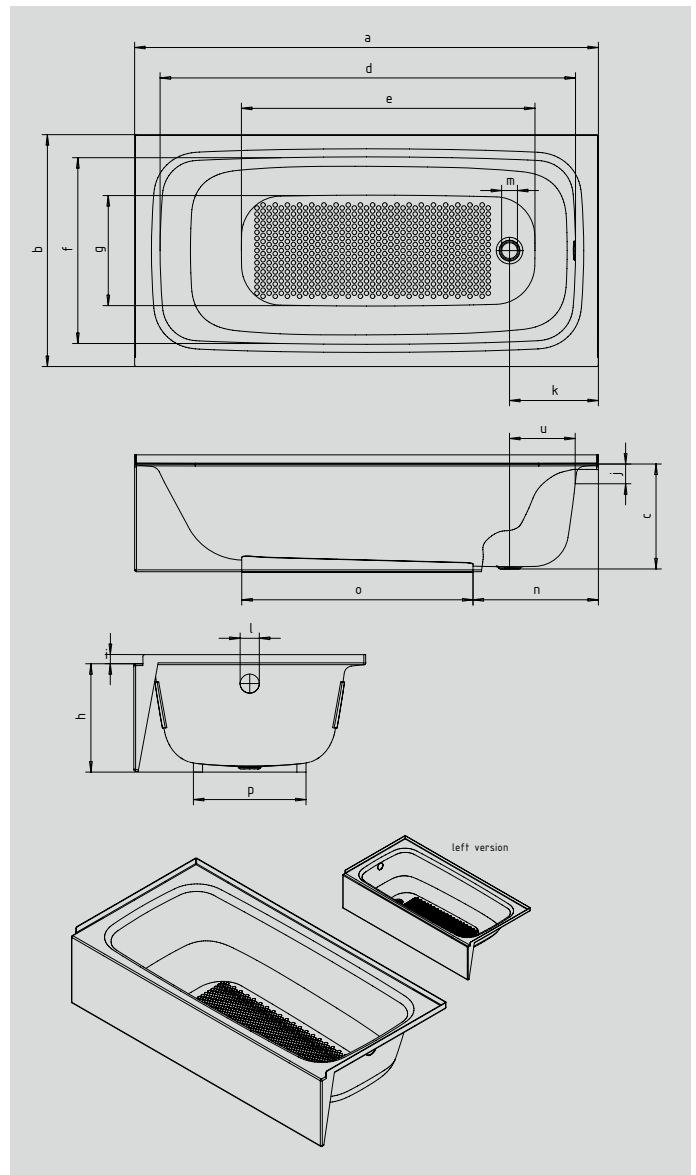


# CAYONO 5ft

- skirted bath with clean modern lines
- bathing well designed to maximize bathing area and permit comfortable showering
- the full anti-slip enamel is firmly fired into the Kaldewei steel enamel making a very easy to clean surface where dirt and bacteria will not build up
- integral tile flange and apron
- clean and modern apron design
- includes EPS support system on bottom with easy installation, leveling and no mortar required
- left or right version
- IAPMO
- ASME A112.19.1
- CSA B45.2
- ASTM F-462
- Uniform Plumbing Code (UPC)
- National Plumbing Code (NPC)
- International Plumbing Code (IPC)



\* Feet kit is an optional accessory

		inch	mm	inch	mm
<b>Model No.</b>		<b>155</b>	<b>155</b>	<b>156</b>	<b>156</b>
External length	a	60	1524	60	1524
External width	b	30	762	30	762
Depth	c	13.58	345	13.58	356
Internal length (top)	d	53.74	1365	53.74	1365
<b>Internal length (bottom)</b>	<b>e</b>	<b>39.37</b>	<b>1000</b>	<b>39.37</b>	<b>1000</b>
Internal width (top)	f	24.02	610	24.02	610
Internal width (bottom)	g	15.75	400	15.75	400
Installation altitude	h	14	356	14	356
Height of tile flange	i	1.18	30	1.18	30
Distance top edge to centre of overflow hole	j	2.56	65	2.56	65
Distance tub edge to centre of drain hole	k	11.50	292	11.50	292
Diameter of overflow hole	l	2.50	63	2.50	63
Diameter of drain hole	m	2.05	52	2.05	52
Distance foot end of tub edge to centre of EPS support system	n	16.22	412	16.22	412
Length of EPS support system	o	29.92	760	29.92	760
Width of EPS support system	p	14.57	370	14.57	370
Distance between centre holes	u	8.5	216	8.5	216
Water volume** in gallons		35		35	
Weight of the enamelled bath tub in lbs		130.74		130.74	

Subject to technical alterations and tolerances.  
 \*\* 18.49 gallons displacement on average.

**KALDEWEI**