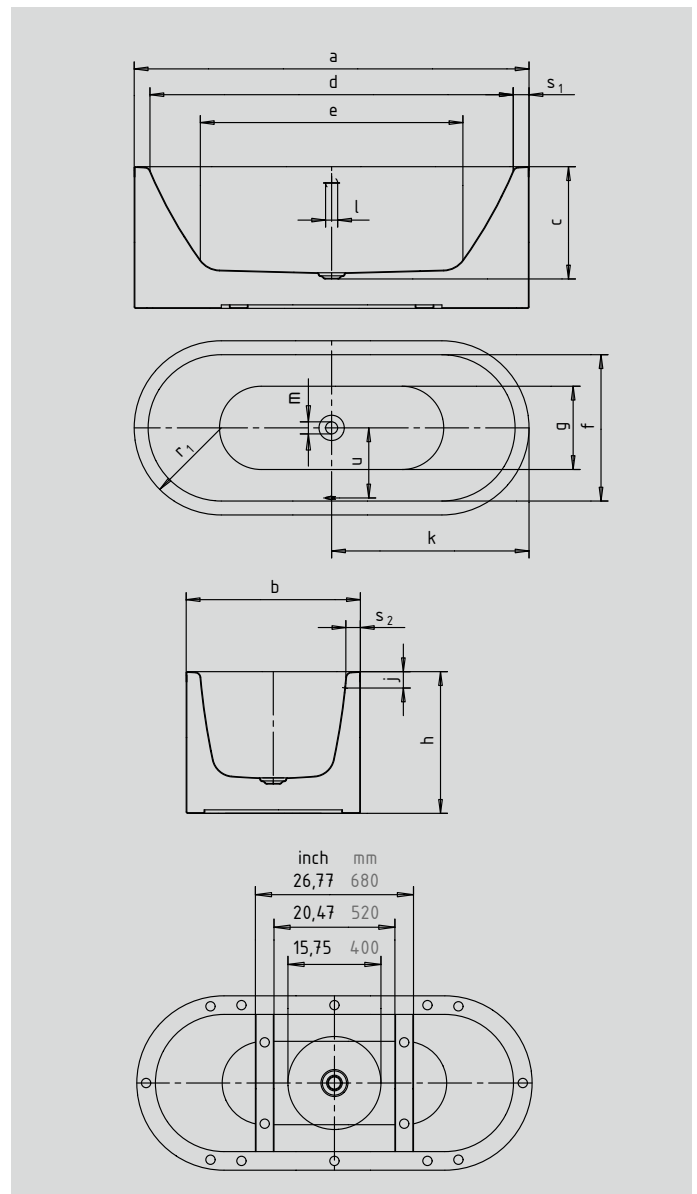


MEISTERSTÜCK CENTRO DUO OVAL

- pure simplicity and unpretentious elegance are what distinguish these baths
- bathing with a friend: two identical back rests and centrally positioned waste
- with the exclusive easy-clean finish surface
- the moulded panel emphasizes the high design standard and means the bath can be free-standing
- enamelled waste cover integrated in the bath design
- drain included
- made of KALDEWEI steel enamel
- IAPMO
- ASME A112.19.1
- CSA B45.2
- ASTM F-462



Similar illustration

| | | inch | mm | inch | mm |
|--|---------------------------------|--------------|-------------|--------------|-------------|
| Model No. | | 1127 | 1127 | 1128 | 1128 |
| External length | a | 66.93 | 1700 | 70.87 | 1800 |
| External width | b | 29.53 | 750 | 31.50 | 800 |
| Depth | c | 19.09 | 485 | 19.09 | 485 |
| Internal length (top) | d | 62.20 | 1580 | 66.14 | 1680 |
| Internal length (bottom) | e | 44.49 | 1130 | 48.43 | 1230 |
| Internal width (top) | f | 24.80 | 630 | 26.77 | 680 |
| Internal width (bottom) | g | 20.08 | 510 | 22.05 | 560 |
| Height of bath | h | 24.02 | 610 | 24.02 | 610 |
| Distance top edge to centre of overflow hole | j | 2.76 | 70 | 2.76 | 70 |
| Distance tub edge to centre of drain hole | k | 33.46 | 850 | 35.43 | 900 |
| Diameter of overflow hole | l | 2.05 | 52 | 2.05 | 52 |
| Diameter of drain hole | m | 2.05 | 52 | 2.05 | 52 |
| Radius | r ₁ | 14.76 | 375 | 15.75 | 400 |
| Width of rim (foot end; lengthwise) | s ₁ ; s ₂ | 2.36; 2.36 | 60; 60 | 2.36 | 60; 60 |
| Distance between centre holes | u | 12.09 | 307 | 13.07 | 332 |
| Water volume** in gallons | | 41.2 | | 51.51 | |
| Weight of the enamelled bath tub in lbs | | 264.56 | | 299.83 | |
| Waste connection diameter | | 1.57/1.97 | 40/50 | 1.57 | 40/50 |
| Fill fitting connection | | 1/2" | 12.70 | 1/2" | 12.70 |

Subject to technical alterations and tolerances.
** 18.49 gallons displacement on average.

KALDEWEI