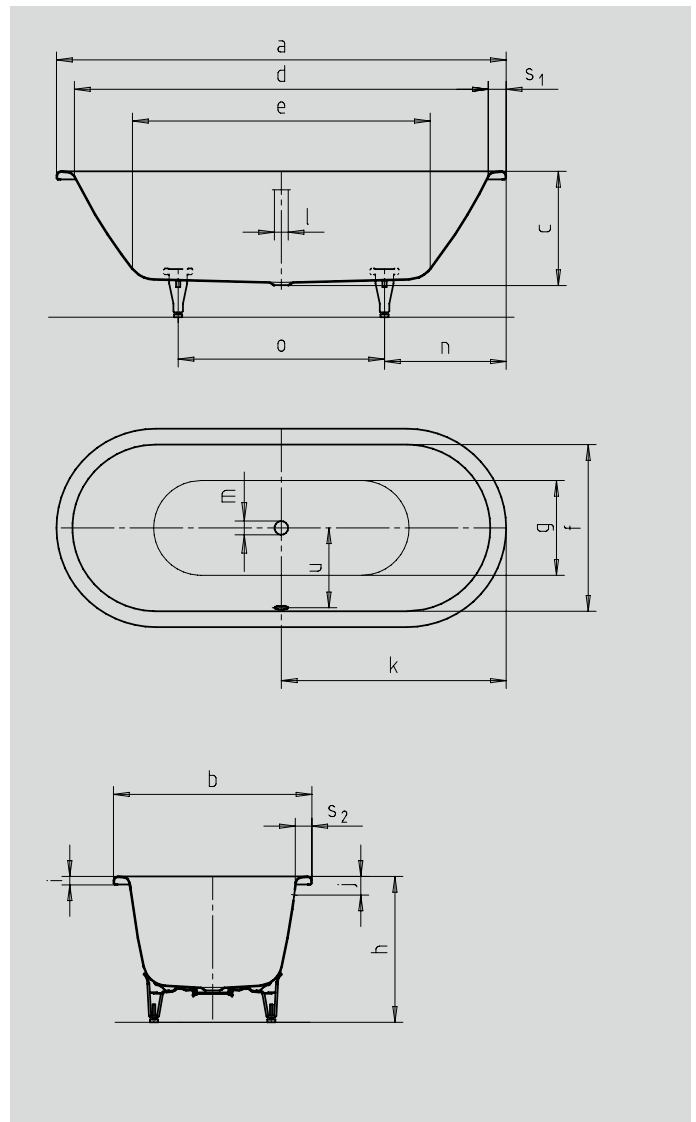


KLASSIKDUO OVAL

- puristic simplicity and unpretentious elegance are what distinguish these bathtubs
- bathing with a friend: two identical back rests and centrally positioned outlet
- made of KALDEWEI steel enamel
- IAPMO
- ASME A112.19.1
- CSA B45.2
- ASTM F-462
- Uniform Plumbing Code (UPC)
- National Plumbing Code (NPC)
- International Plumbing Code (IPC)



* Feet kit is an optional accessory

Model No.		inch	mm	inch	mm	inch	mm
		112	112	113	113	111	111
External length	a	62.99	1600	66.93	1700	70.87	1800
External width	b	27.56	700	29.53	750	31.50	800
Depth	c	16.93	430	16.93	430	16.93	430
Internal length (top)	d	58.27	1480	62.20	1580	66.14	1680
Internal length (bottom)	e	40.55	1030	44.49	1130	48.43	1230
Internal width (top)	f	22.83	580	24.80	630	26.77	680
Internal width (bottom)	g	17.72	450	19.69	500	21.65	550
Height with feet	h	22.05-23.23	560-590	21.58-23.23	555-590	21.85-23.23	555-590
Height of rim	i	1.26	32	1.26	32	1.26	32
Distance top edge to centre of overflow hole	j	2.76	70	2.76	70	2.76	70
Distance tub edge to centre of drain hole	k	31.50	800	33.46	850	35.43	900
Diameter of overflow hole	l	2.05	52	2.05	52	2.05	52
Diameter of drain hole	m	2.05	52	2.05	52	2.05	52
Distance foot end of tub edge to centre of foot	n	22.05	560	22.05	560	23.62	600
Distance between the feet	o	18.90	480	22.83	580	23.62	600
Max. width of feet	p	16.14	410	17.72	450	21.26	540
Width of rim (foot end; lengthwise)	s ₁ ; s ₂	2.36; 2.36	60; 60	2.36; 2.36	60; 60	2.36; 2.36	60; 60
Distance between centre holes	u	11.02	280	12.01	305	12.99	330
Water volume** in gallons		25.09		32.75		41.73	
Weight of the enamelled bath tub in lbs		90.39		99.21		110.23	

Subject to technical alterations and tolerances.
 ** 18.49 gallons displacement on average.

KALDEWEI