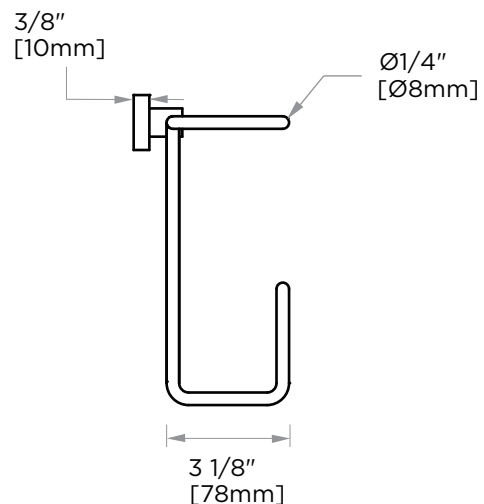
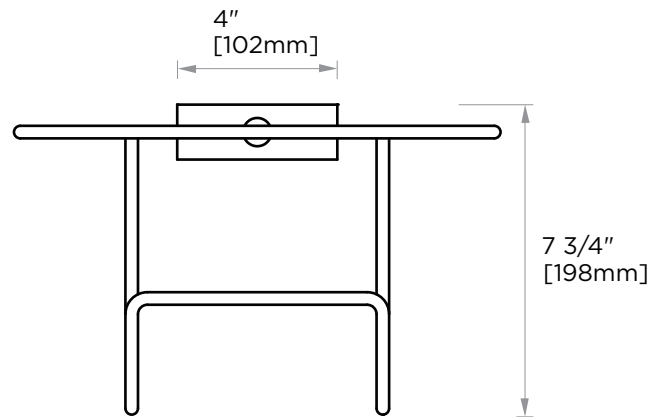
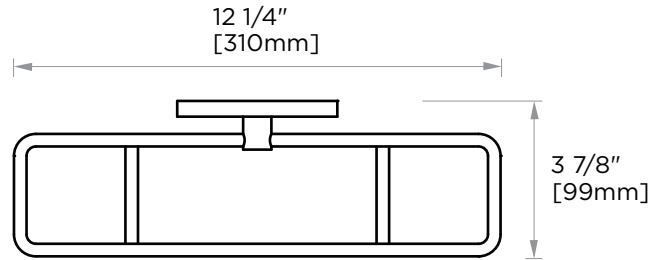


**MADRID COLLECTION**  
**MAGAZINE RACK**  
262140



**PRODUCT NAME:** MAGAZINE RACK

**PRODUCT CODE:** 262140

**MATERIAL:** All-brass construction

**KEY FEATURES:** Contemporary design.  
Simple and straight forward lines.  
Strong linear silhouette.

**STOCKED FINISHES:**

- Polished Chrome (99)
- Brushed Nickel (81)
- Polished Nickel (68)

**SPECIAL FINISHES AVAILABLE:** 26 options available.  
Please see our website for full list samples

**WARRANTY:**  
Lifetime Limited (Residential Use)  
One Year (Commercial Use)

NOTE: Dimensions and specifications are subject to change without notice.