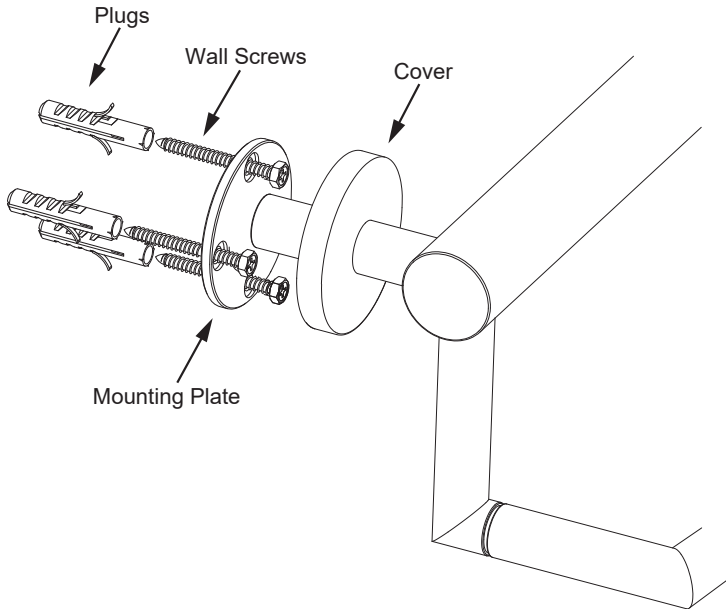


GRAB BARS SERIES

PIVOT GRAB BAR WITH PAPER HOLDER

8289120



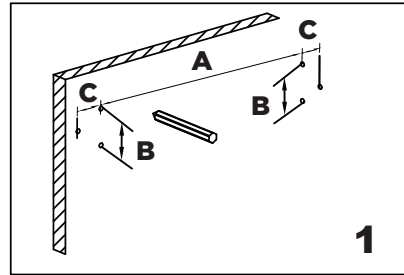
Tools required for installation

Level	Pencil	Wrench
Screwdriver	Drill	Hammer

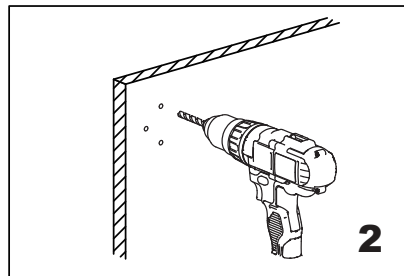
A=Plate TOP holes center to center distance
 B=Plate TOP hole to BOTTOM hole distance
 C=Plate TOP/BOTTOM holes to MID hole distance

Product Code	Sizes (Inches/mm)		
	A	B	C
8289120	7 7/8" /195	1 3/4"/45	1"/22.5

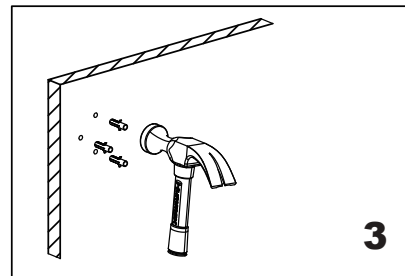
Fig.1



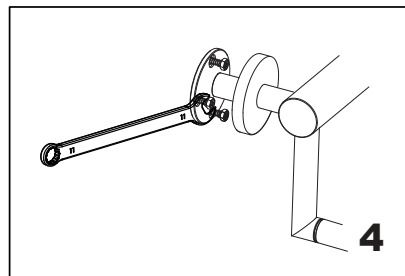
Mark (on the wall) locations of plugs through mounting plate using a pencil, refer to Fig.1



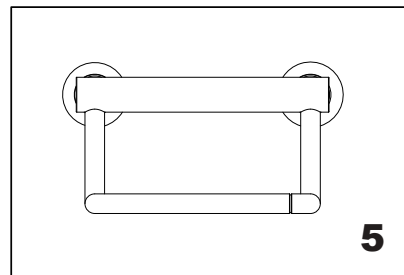
Drill 3/16" holes, make sure to keep drill level



Insert plugs into drilled holes, using a hammer to tap the plugs in, be careful not to break tile



Driver bolt nut directly into holes



Tighten the cover on the Mounting plate