



JSGN-8-B

FAUCET GROUP

DECK MOUNT - SENSOR FAUCET
BATTERY POWER

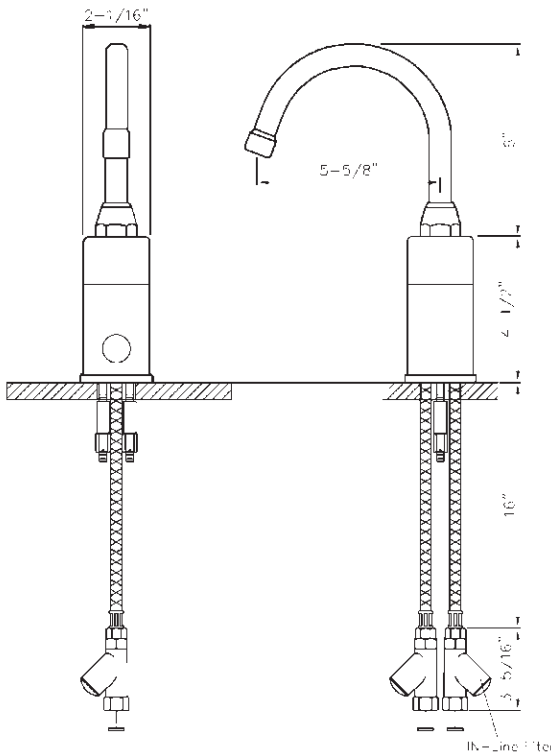
SUBMITTAL DATA



TECHNICAL DATA

CONSTRUCTION:

- Single hole deck mount - mixing faucet.
- Solid brass construction.
- Polished chrome plated.
- Above deck access to major faucet components.
- Integrated ceramic mixing valve with built-in checks.
- Sensor operation on/off.
- Sensor range - up to 17" reduces false starts.
- Automatic time-out - 30 seconds conserves water.
- Above deck temperature adjustment.
- In-line filter with clean-out trap
- Slow closing solenoid valve.
- Control circuit- Solid state, Battery (not field switchable)
- Solenoid valve - VSI silicone elastomer piston seal
 - 6V DC, normally closed
 - .2W (idle), 3W (in use)
 - Operating pressure - 5psi to 125 psi - Power
- Battery Mode - (UL/CSA)
 - Batteries - uses (4) AA Alkaline batteries
 - Battery Life - 400,000 on/off cycles, up to 4yrs



Battery Power

FLOW RATE

0.5 GPM Laminar Flow Control

FINISH

Chrome plated

OPTIONS

- Spout - 10-1/4" high - 5-3/8" reach, gooseneck spout
- Spout - 10-1/4" high - 8-3/8" reach, gooseneck spout

CERTIFICATIONS

Faucet - Certified to NSF 372-Low Lead
Power Supply - (UL/CSA)

APPROVED FOR MANUFACTURING

MODEL NO.: **JSGN-18** QTY: _____

JOB NAME: _____

TAG/ITEM: _____

CUSTOMER: _____

SIGNATURE: _____

JUST MFG. COMPANY CONTINUES TO MAKE QUALITY AND FUNCTIONALITY A MARK OF THE JUST PRODUCT LINE. TO DO SO REQUIRES THAT WE RESERVE THE RIGHT TO CHANGE PRODUCT INFORMATION WITHOUT NOTICE. DIMENSIONS MAY VARY AND ARE SUBJECT TO CHANGE WITHOUT NOTICE. NO RESPONSIBILITY IS ASSUMED FOR USE OF SUPERCEDED OR VOIDED DATA. FOR THE MOST CURRENT AND ACCURATE INFORMATION REGARDING THE COMPLETE LINE OF JUST SINKS, FAUCETS AND DRAINS, CLICK ON THE **SPEC LINE DRAWINGS** LINK ON OUR WEB SITE AT www.justmfg.com

JUST MANUFACTURING COMPANY

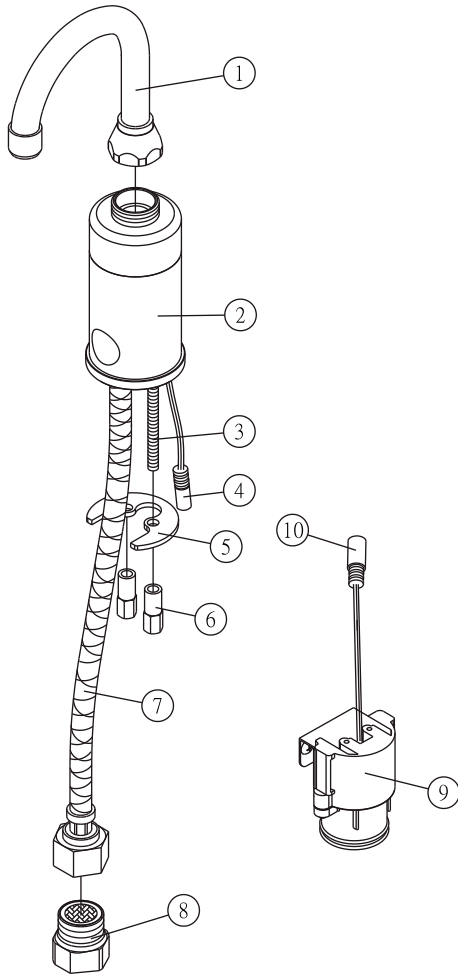
9233 KING STREET . FRANKLIN PARK . ILLINOIS . 60131-2111

PH: 847-678-5150 . FAX: 847-678-6817 . E-MAIL: custserv@justmfg.com . www.justmfg.com

JSGN-18-B

FAUCET GROUP

LAVATORY SENSOR FAUCET
DETAILED PARTS LIST



No.	Part No.	Description
1	JX18-001	Gooseneck spout assembly
2	JX18-002	Body
3	JX18-003	Mounting bolt
4	JX18-004	Control cable
5	JX18-005	Mounting washer
6	JX18-006	Mounting nut
7	JX18-007	Supply tube
8	JX18-008	Filter
9	JX18-009	Battery holder
10	JX18-010	Battery holder connector

JUST MANUFACTURING COMPANY

9233 KING STREET . FRANKLIN PARK . ILLINOIS . 60131-2111

PH: 847-678-5150 . FAX: 847-678-6817 . E-MAIL: custserv@justmfg.com . www.justmfg.com