

## SPECIFICATIONS

### PRODUCT SPECIFICATIONS

Just Mfg Stainless Steel 30" x 22" x 27" Wall Hung ADA Sink Enviro Kit with Eyewash. Sink is manufactured from 14 gauge 304 Stainless Steel with a Buffed Satin finish, Center drain placement.

<b>Material:</b>	304 Stainless Steel
<b>Finish:</b>	Buffed Satin
<b>Gauge:</b>	14
<b>Weight Without Packaging:</b>	106.07
<b>Number of Bowls:</b>	1
<b>Sink Dimensions:</b>	30" x 22" x 11"
<b>Bowl 1 Dimensions:</b>	26" x 18-1/2" x 6-1/2"
<b>Drainboard Location:</b>	No drainboard
<b>Backsplash Height:</b>	4.5
<b>Drain Size:</b>	3-1/2" (89mm)
<b>Drain Location:</b>	Center
<b>Minimum Cabinet Size:</b>	9999"



**Included with Product:** sensor faucet with AC plug-in / 4 AA batteries, J-35-SSF drain, mixing valve, JMXE-300 eyewash mixing valve, JT-150 p-trap, JG-1800 eyewash

Quality Grade Plumbing Products.  
Since 1933 we have become the industry standard for designing and producing quality grade plumbing products and fixtures. Our role as an industry leader remains unsurpassed.



**Product Compliance:** ADA & ICC A117.1  
ASME A112.19.3/CSA B45.4

**Faucet:** NSF 372 (lead free)

**Accessory:** ASSE 1069  
ASSE 1070  
ASSE 1017  
NSF 372 (lead free)  
ASME A112.18.2/CSA B125.2



Complies with ADA & ICC A117.1 accessibility requirements when installed according to the requirements outlined in these standards.

[Clean and Care Manual \(PDF\)](#)  
[Installation Instructions \(PDF\) - 2000000893](#)  
[Warranty \(PDF\)](#)

PART: \_\_\_\_\_ QTY: \_\_\_\_\_

PROJECT: \_\_\_\_\_

CONTACT: \_\_\_\_\_

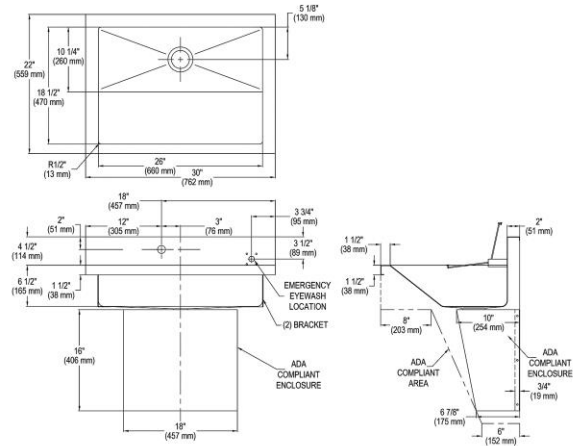
DATE: \_\_\_\_\_

NOTES: \_\_\_\_\_

APPROVAL: \_\_\_\_\_

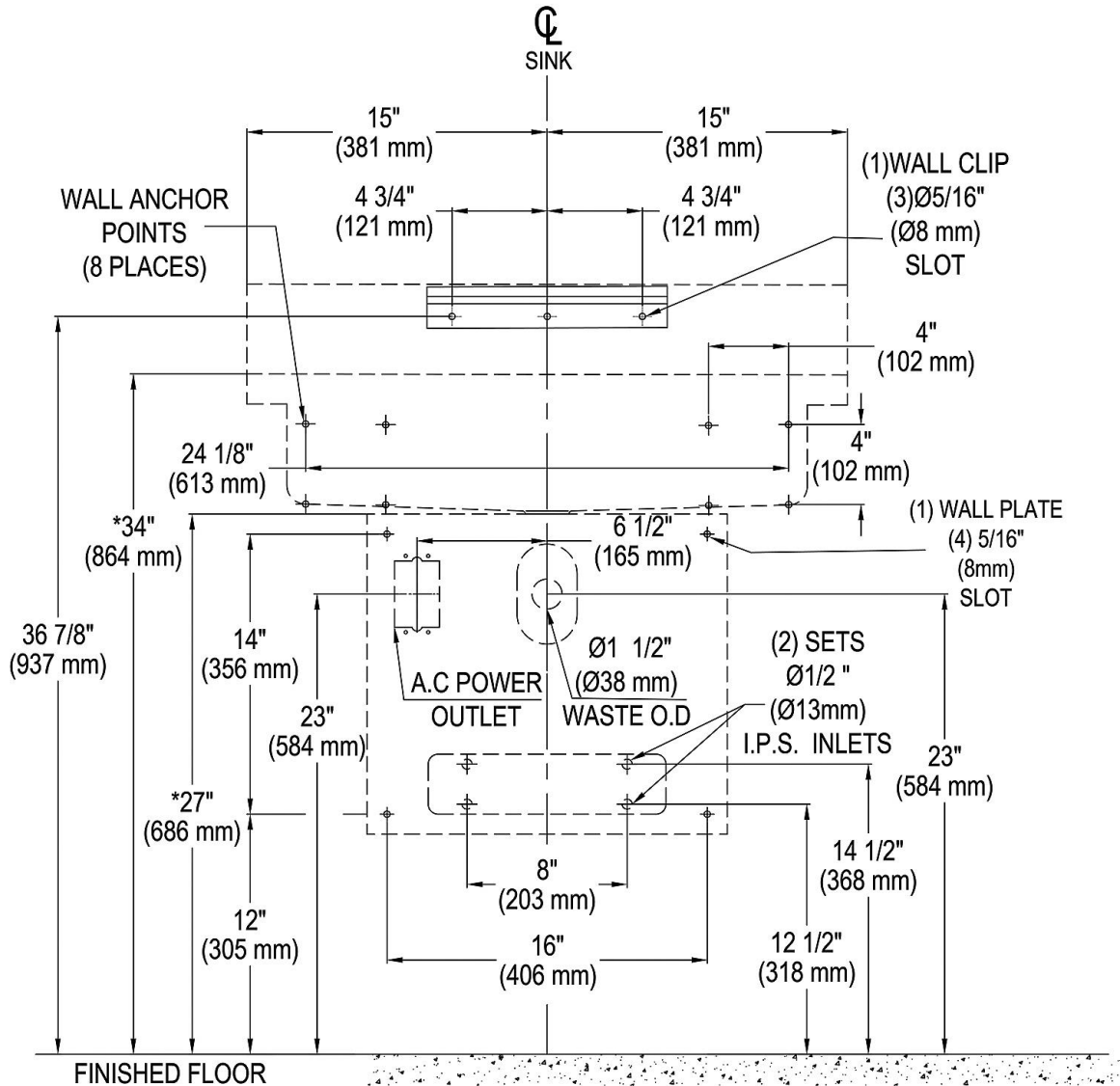
*In keeping with our policy of continuing product improvement, Just Mfg reserves the right to change product specifications without notice. Please visit justmfg.com for the most current version of Just Mfg product specification sheets. This specification describes a product with design, quality, and functional benefits to the user. When making a comparison of other producers' offerings, be certain these features are not overlooked.*

**SPECIFICATIONS**



*In keeping with our policy of continuing product improvement, Just Mfg reserves the right to change product specifications without notice. Please visit [justmfg.com](http://justmfg.com) for the most current version of Just Mfg product specification sheets. This specification describes a product with design, quality, and functional benefits to the user. When making a comparison of other producers' offerings, be certain these features are not overlooked.*

SPECIFICATIONS



\*NOTE: ALTERING THIS DIMENSION COULD CAUSE SINK TO BECOME NON-ADA COMPLIANT

NOTES:

1. ALL FASTENERS SUPPLIED BY OTHERS.
2. WALL ANCHOR POINTS CORRESPOND WITH  $\text{Ø} 5/16"$  ( $\text{Ø}8\text{mm}$ ) SLOTS IN SINK TURNBACK.

In keeping with our policy of continuing product improvement, Just Mfg reserves the right to change product specifications without notice. Please visit [justmfg.com](http://justmfg.com) for the most current version of Just Mfg product specification sheets. This specification describes a product with design, quality, and functional benefits to the user. When making a comparison of other producers' offerings, be certain these features are not overlooked.