

SPECIFICATIONS

PRODUCT SPECIFICATIONS

Just Mfg Stainless Steel 30" x 23" x 26" Wall Hung Single Bowl Surgeon Scrub Sink Kit w/Spout + Drain + TMV. Sink is manufactured from 16 gauge 304 Stainless Steel with a Buffed Satin finish, Rear Center drain placement.

Material:	304 Stainless Steel
Finish:	Buffed Satin
Gauge:	16
Number of Bowls:	1
Sink Dimensions:	30" x 23" x 26"
Bowl 1 Dimensions:	26" x 16-1/4" x 11"
Drain Size:	3-1/2" (89mm)
Drain Location:	Rear Center



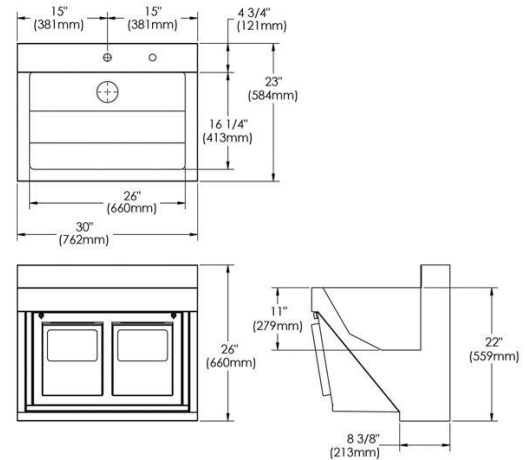
Included with Product: faucet, J35SSF drain, mixing valve

Quality Grade Plumbing Products. Since 1933 we have become the industry standard for designing and producing quality grade plumbing products and fixtures. Our role as an industry leader remains unsurpassed.



Product Compliance: ASME A112.19.3/CSA B45.4
Accessory: ASSE 1070
 ASSE 1017
 ASSE 1069
 NSF 372 (lead free)

[Clean and Care Manual \(PDF\)](#)
[Installation Instructions \(PDF\) - 2000000893](#)
[Warranty \(PDF\)](#)



PART: _____ QTY: _____

PROJECT: _____

CONTACT: _____

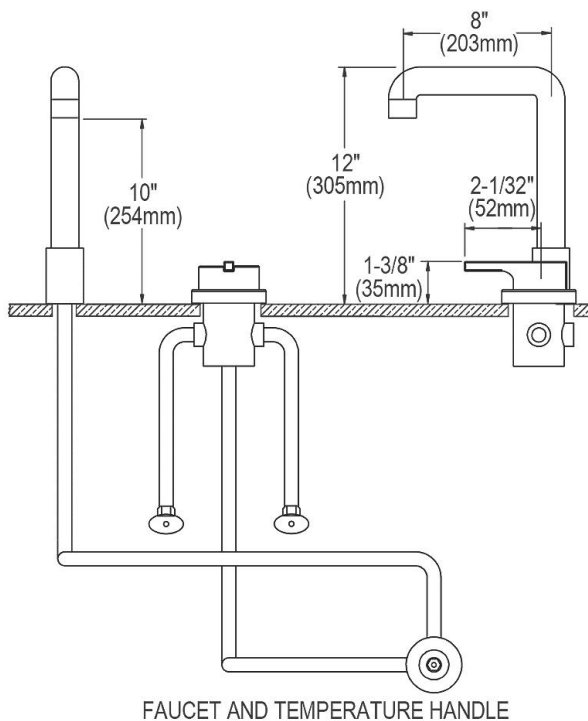
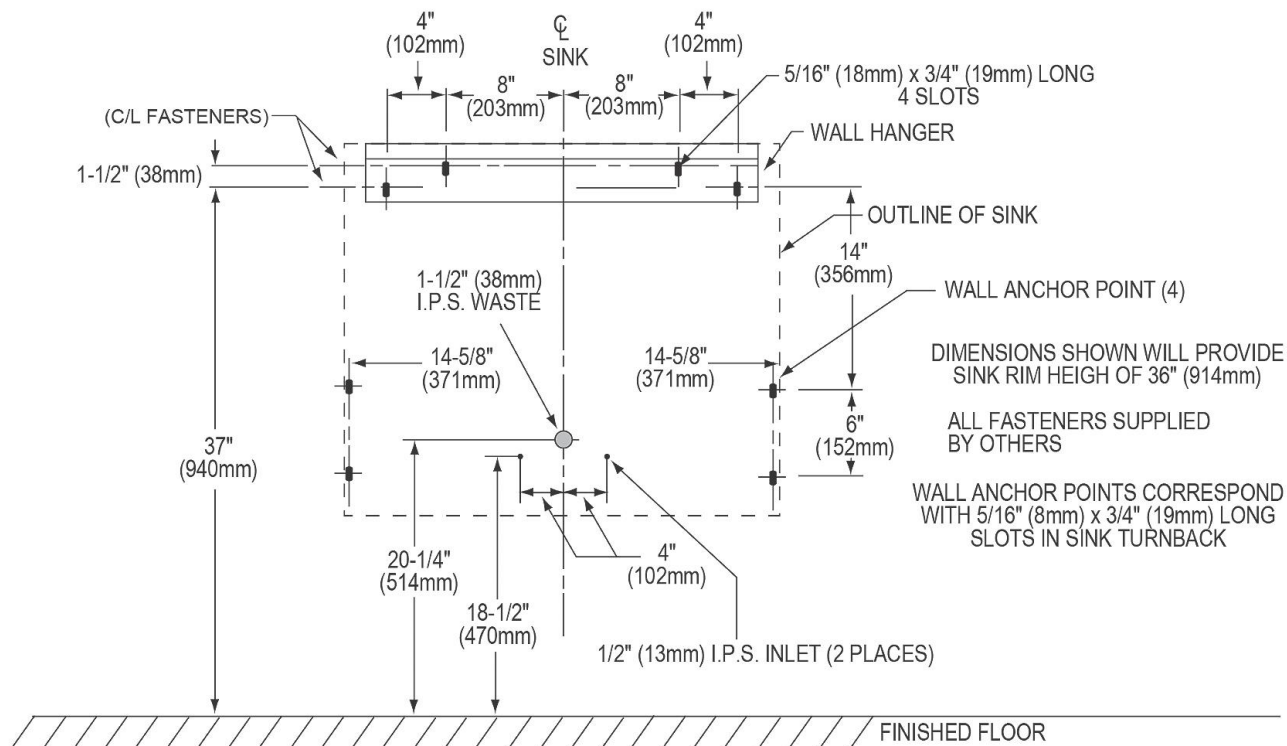
DATE: _____

NOTES: _____

APPROVAL: _____

In keeping with our policy of continuing product improvement, Just Mfg reserves the right to change product specifications without notice. Please visit justmfg.com for the most current version of Just Mfg product specification sheets. This specification describes a product with design, quality, and functional benefits to the user. When making a comparison of other producers' offerings, be certain these features are not overlooked.

SPECIFICATIONS



In keeping with our policy of continuing product improvement, Just Mfg reserves the right to change product specifications without notice. Please visit justmfg.com for the most current version of Just Mfg product specification sheets. This specification describes a product with design, quality, and functional benefits to the user. When making a comparison of other producers' offerings, be certain these features are not overlooked.