

SPECIFICATIONS

PRODUCT SPECIFICATIONS

Just Mfg Stainless Steel 30" x 23" x 11" Wall Hung Single Bowl 1-Hole Surgeon Scrub Sink. Sink is manufactured from 16 gauge 304 Stainless Steel with a Buffed Satin finish, Center drain placement.

| | |
|----------------------------------|---------------------|
| Material: | 304 Stainless Steel |
| Finish: | Buffed Satin |
| Gauge: | 16 |
| Weight Without Packaging: | 118.5 |
| Number of Bowls: | 1 |
| Sink Dimensions: | 30" x 23" x 26" |
| Bowl 1 Dimensions: | 26" x 16-1/4" x 11" |
| Drainboard Location: | No drainboard |
| Backsplash Height: | 4 |
| Drain Size: | 3-1/2" (89mm) |
| Drain Location: | Center |
| Minimum Cabinet Size: | 9999" |

Hole Drilling Configurations:

| Hole # | Description |
|--------|------------------------|
| 1 | 1 Faucet Hole Centered |



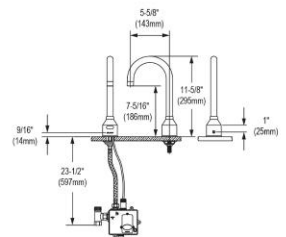
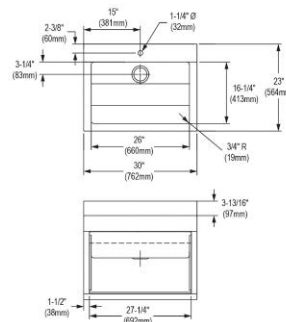
Quality Grade Plumbing Products. Since 1933 we have become the industry standard for designing and producing quality grade plumbing products and fixtures. Our role as an industry leader remains unsurpassed.



Product Compliance: ASME A112.19.3/CSA B45.4



[Clean and Care Manual \(PDF\)](#)
[Installation Instructions \(PDF\) - 2000000893](#)
[Warranty \(PDF\)](#)



PART: _____ QTY: _____

PROJECT: _____

CONTACT: _____

DATE: _____

NOTES: _____

APPROVAL: _____

In keeping with our policy of continuing product improvement, Just Mfg reserves the right to change product specifications without notice. Please visit justmfg.com for the most current version of Just Mfg product specification sheets. This specification describes a product with design, quality, and functional benefits to the user. When making a comparison of other producers' offerings, be certain these features are not overlooked.

SPECIFICATIONS

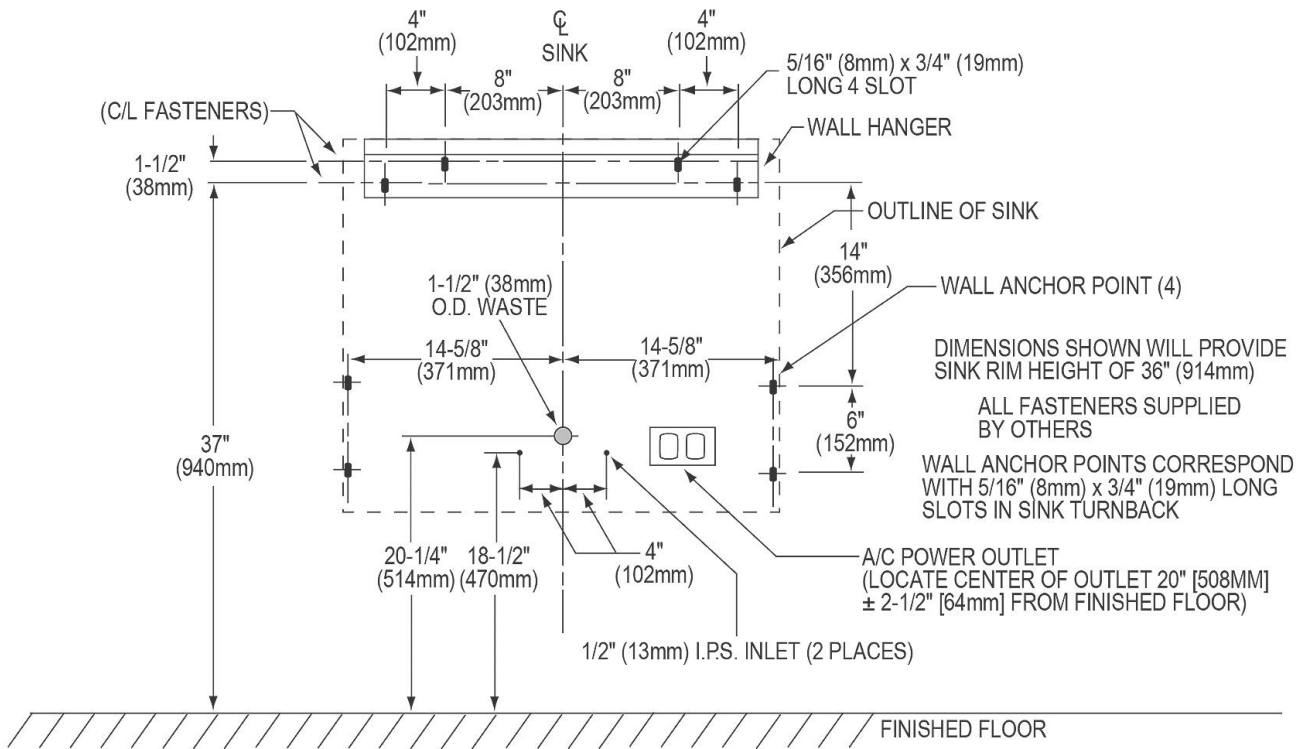
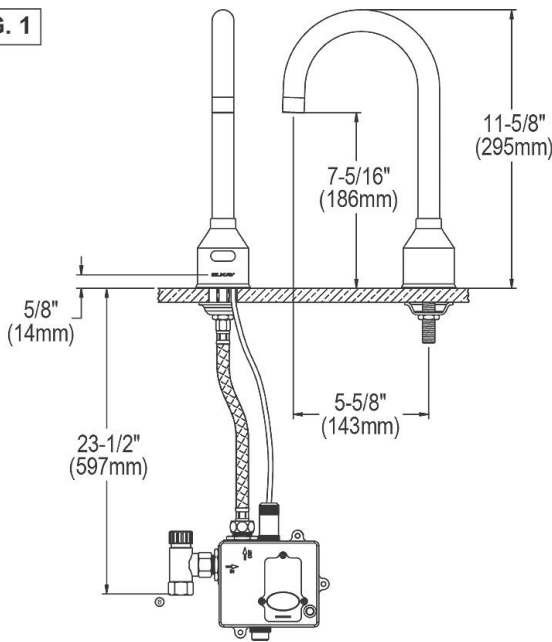


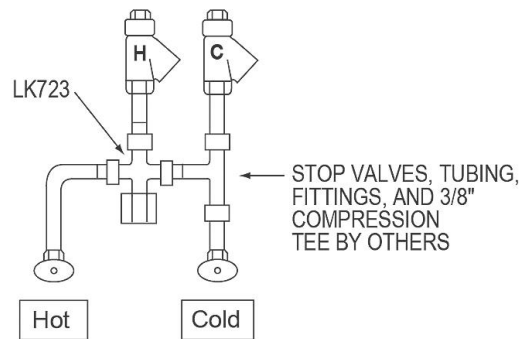
FIG. 1



LKB721C SENSOR FAUCET

SINGLE STATION ROUGH-IN

FIG. 2



LKB721C SENSOR FAUCET WITH LK723 THERMOSTATIC MIXING VALVE

In keeping with our policy of continuing product improvement, Just Mfg reserves the right to change product specifications without notice. Please visit justmfg.com for the most current version of Just Mfg product specification sheets. This specification describes a product with design, quality, and functional benefits to the user. When making a comparison of other producers' offerings, be certain these features are not overlooked.