

### SPECIFICATIONS

#### PRODUCT SPECIFICATIONS

Just Mfg Stainless Steel 37-1/4" x 17" x 4-1/2" 3-Hole Double Bowl Drop-in Classroom ADA Sink Left. Sink is manufactured from 18 gauge 304 Stainless Steel with a Lustrous Satin finish, Center drain placement, and Bottom only pads.

<b>Installation Type:</b>	Drop-in
<b>Material:</b>	304 Stainless Steel
<b>Finish:</b>	Lustrous Satin
<b>Gauge:</b>	18
<b>Sound Deadening:</b>	Bottom only pads
<b>Number of Bowls:</b>	2
<b>Sink Dimensions:</b>	37-1/4" x 17" x 4-1/2"
<b>Bowl 1 Dimensions:</b>	9-1/4" x 12" x 3-1/2"
<b>Bowl 2 Dimensions:</b>	16" x 11-1/2" x 4-3/8"
<b>Drain Size:</b>	2" (51mm), 3-1/2" (89mm)
<b>Drain Location:</b>	Center
<b>Minimum Cabinet Size:</b>	42"
<b>Cutout Template #:</b>	<a href="#">100000735</a>

Template is available for download at [justmfg.com](http://justmfg.com). CAD software will be required to open the template.

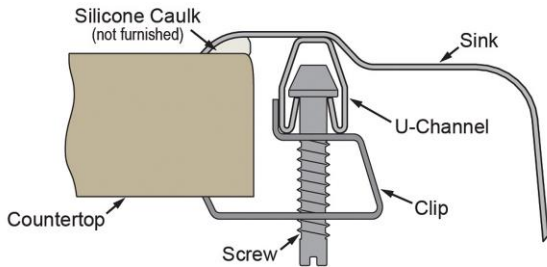
#### Cutout Dimensions for Drop-in Installation:

36-5/8" x 16-3/8" (930mm x 416mm) with 1-1/2" (38mm) corner radius

#### Hole Drilling Configurations:

Hole #	Description
3	3 Faucet Holes on 4" Centers Left Side

#### Installation Profile:



PART: \_\_\_\_\_ QTY: \_\_\_\_\_

PROJECT: \_\_\_\_\_

CONTACT: \_\_\_\_\_

DATE: \_\_\_\_\_

NOTES: \_\_\_\_\_

APPROVAL: \_\_\_\_\_



Quality Grade Plumbing Products.

Since 1933 we have become the industry standard for designing and producing quality grade plumbing products and fixtures. Our role as an industry leader remains unsurpassed.



**Product Compliance:** ASME A112.19.3/CSA B45.4  
ADA & ICC A117.1

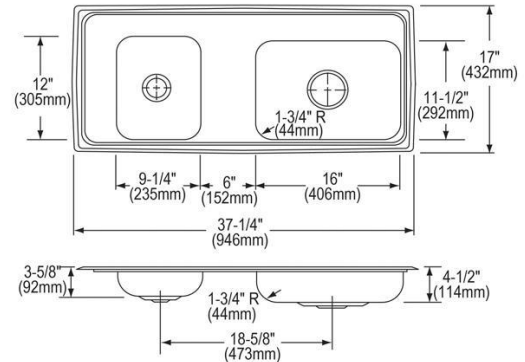


Complies with ADA & ICC A117.1 accessibility requirements when installed according to the requirements outlined in these standards.

[Clean and Care Manual \(PDF\)](#)

[Installation Instructions \(PDF\) - 200000856](#)

[Warranty \(PDF\)](#)



In keeping with our policy of continuing product improvement, Just Mfg reserves the right to change product specifications without notice. Please visit [justmfg.com](http://justmfg.com) for the most current version of Just Mfg product specification sheets. This specification describes a product with design, quality, and functional benefits to the user. When making a comparison of other producers' offerings, be certain these features are not overlooked.