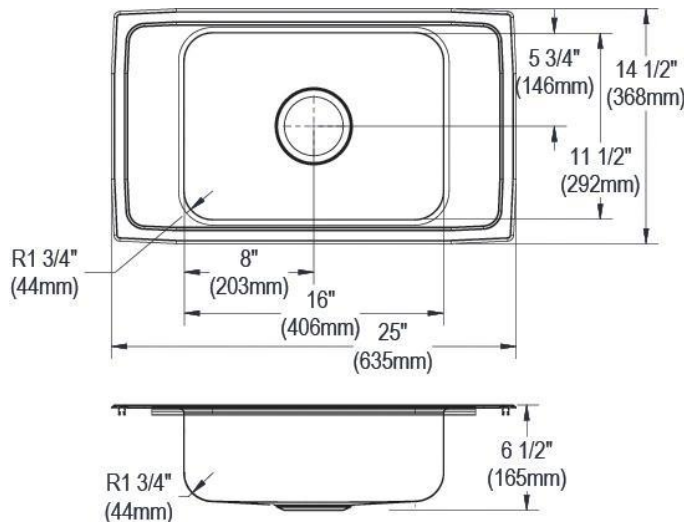


### SPECIFICATIONS

#### PRODUCT SPECIFICATIONS

Just Mfg Stainless Steel 25" x 14-1/2" x 6-1/2" Single Bowl Drop-in Classroom ADA Sink w/Left and Right Faucet Decks. Sink is manufactured from 18 gauge 304 Stainless Steel with a Lustrous Satin finish, Center drain placement, and Bottom only pads.

|                              |                        |
|------------------------------|------------------------|
| <b>Installation Type:</b>    | Drop-in                |
| <b>Material:</b>             | 304 Stainless Steel    |
| <b>Finish:</b>               | Lustrous Satin         |
| <b>Gauge:</b>                | 18                     |
| <b>Sound Deadening:</b>      | Bottom only pads       |
| <b>Number of Bowls:</b>      | 1                      |
| <b>Sink Dimensions:</b>      | 25" x 14-1/2" x 6-1/2" |
| <b>Bowl 1 Dimensions:</b>    | 16" x 11-1/2" x 6-1/2" |
| <b>Drain Size:</b>           | 3-1/2" (89mm)          |
| <b>Drain Location:</b>       | Center                 |
| <b>Minimum Cabinet Size:</b> | 18"                    |



Quality Grade Plumbing Products.

Since 1933 we have become the industry standard for designing and producing quality grade plumbing products and fixtures. Our role as an industry leader remains unsurpassed.



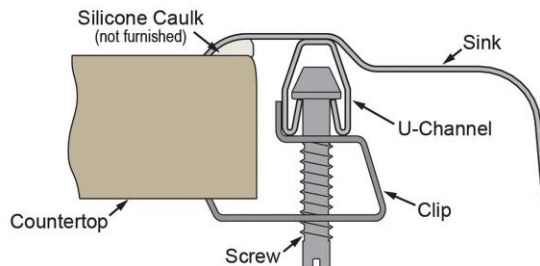
**Product Compliance:** ADA & ICC A117.1  
ASME A112.19.3/CSA B45.4



Complies with ADA & ICC A117.1 accessibility requirements when installed according to the requirements outlined in these standards.

[Clean and Care Manual \(PDF\)](#)  
[Installation Instructions \(PDF\) - 2000000856](#)  
[Warranty \(PDF\)](#)

**Installation Profile:**



PART: \_\_\_\_\_ QTY: \_\_\_\_\_

PROJECT: \_\_\_\_\_

CONTACT: \_\_\_\_\_

DATE: \_\_\_\_\_

NOTES: \_\_\_\_\_

APPROVAL: \_\_\_\_\_

In keeping with our policy of continuing product improvement, Just Mfg reserves the right to change product specifications without notice. Please visit [justmfg.com](http://justmfg.com) for the most current version of Just Mfg product specification sheets. This specification describes a product with design, quality, and functional benefits to the user. When making a comparison of other producers' offerings, be certain these features are not overlooked.