

### SPECIFICATIONS

#### PRODUCT SPECIFICATIONS

Just Mfg Stainless Steel 16-3/4" x 15-1/2" x 13" Single Bowl Wall Hung Hand Wash Sink w/LKB7222C Faucet + Drain + P-trap. Sink is manufactured from 20 gauge 304 Stainless Steel with a Buffed Satin finish, Center drain placement.



<b>Material:</b>	304 Stainless Steel
<b>Finish:</b>	Buffed Satin
<b>Gauge:</b>	20
<b>Number of Bowls:</b>	1
<b>Sink Dimensions:</b>	16-3/4" x 15-1/2" x 13"
<b>Bowl 1 Dimensions:</b>	12" x 9-1/4" x 6"
<b>Drain Size:</b>	2" (51mm)
<b>Drain Location:</b>	Center

**Included with Product:** faucet, J-15-FS drain, two JT-150 p-trap, mixing valve

Quality Grade Plumbing Products.  
 Since 1933 we have become the industry standard for designing and producing quality grade plumbing products and fixtures. Our role as an industry leader remains unsurpassed.



**Product Compliance:** ASME A112.19.3/CSA B45.4  
 NSF 2

[Clean and Care Manual \(PDF\)](#)  
[Installation Instructions \(PDF\) - 2000000893](#)  
[Warranty \(PDF\)](#)

PART: \_\_\_\_\_ QTY: \_\_\_\_\_

PROJECT: \_\_\_\_\_

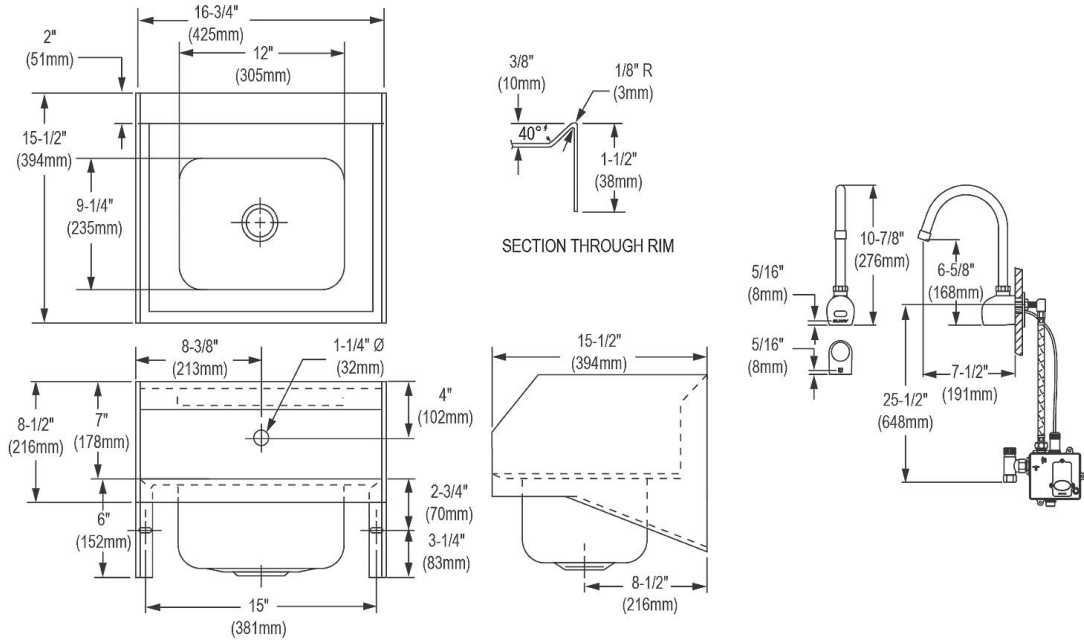
CONTACT: \_\_\_\_\_

DATE: \_\_\_\_\_

NOTES: \_\_\_\_\_

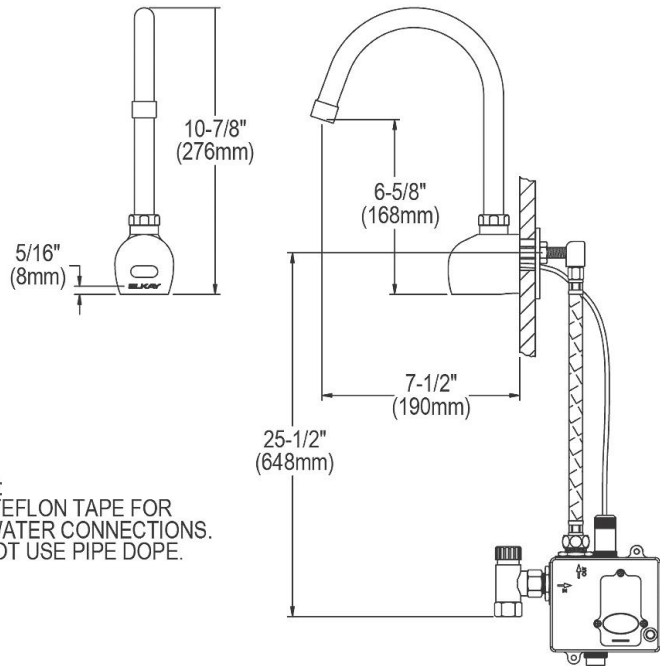
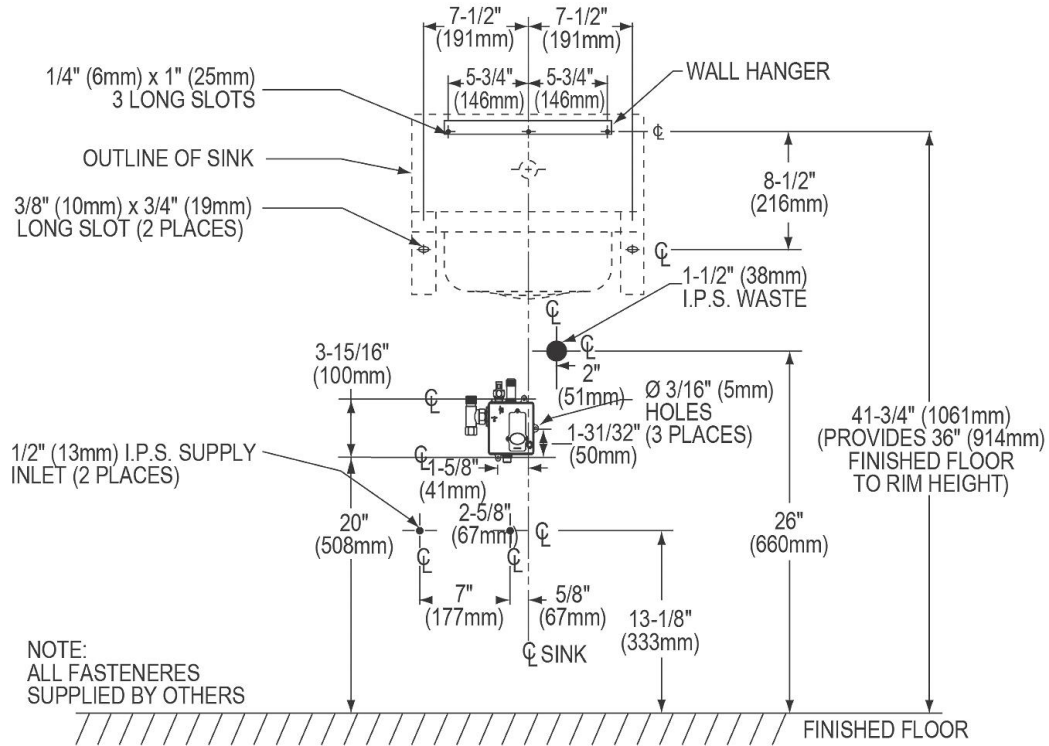
APPROVAL: \_\_\_\_\_

*In keeping with our policy of continuing product improvement, Just Mfg reserves the right to change product specifications without notice. Please visit [justmfg.com](http://justmfg.com) for the most current version of Just Mfg product specification sheets. This specification describes a product with design, quality, and functional benefits to the user. When making a comparison of other producers' offerings, be certain these features are not overlooked.*



In keeping with our policy of continuing product improvement, Just Mfg reserves the right to change product specifications without notice. Please visit [justmfg.com](http://justmfg.com) for the most current version of Just Mfg product specification sheets. This specification describes a product with design, quality, and functional benefits to the user. When making a comparison of other producers' offerings, be certain these features are not overlooked.

**SPECIFICATIONS**



In keeping with our policy of continuing product improvement, Just Mfg reserves the right to change product specifications without notice. Please visit [justmfg.com](http://justmfg.com) for the most current version of Just Mfg product specification sheets. This specification describes a product with design, quality, and functional benefits to the user. When making a comparison of other producers' offerings, be certain these features are not overlooked.