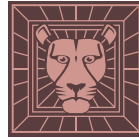


90 1/4"

JAMES MARTIN



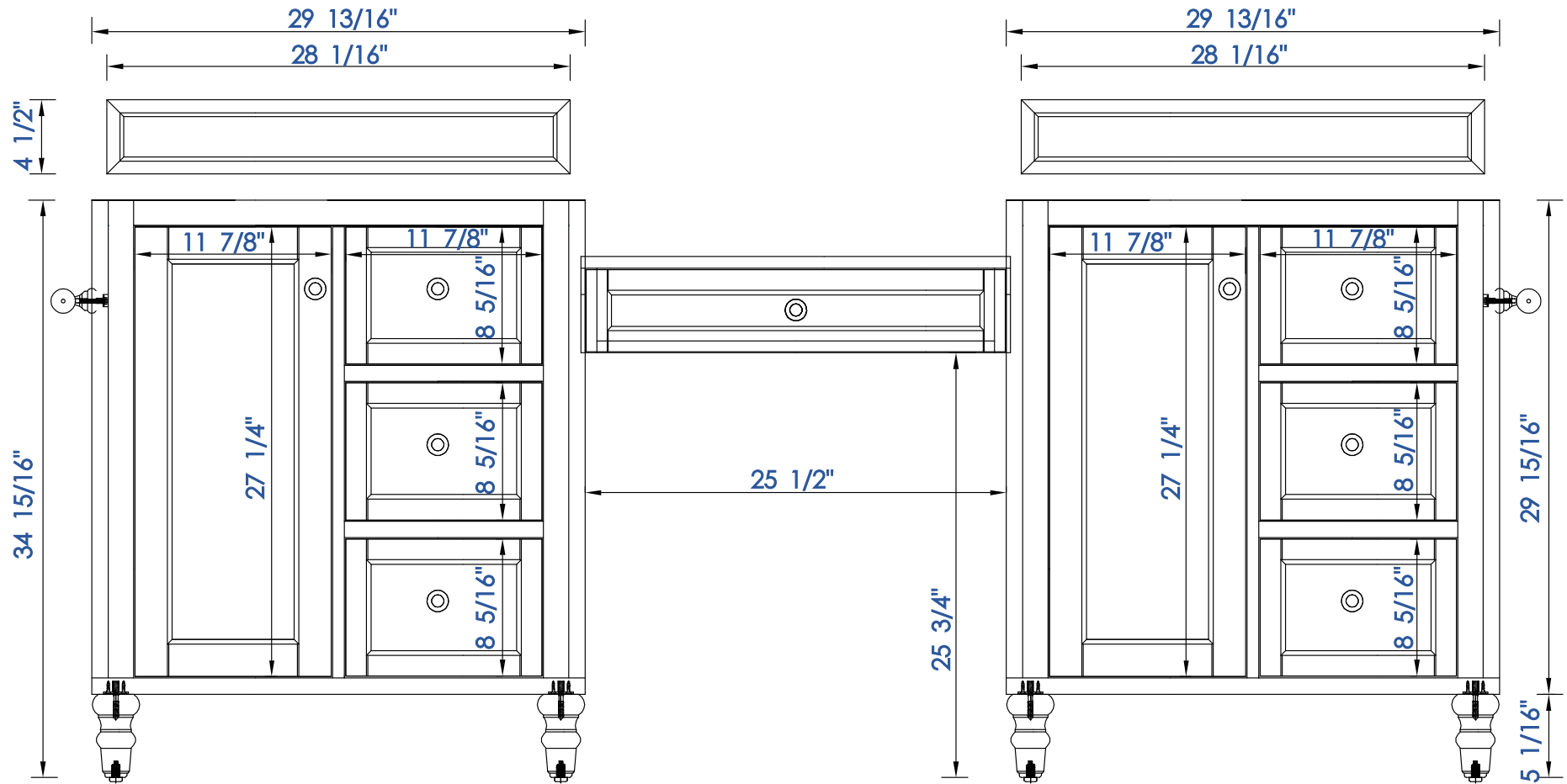
VANITIES™

Item Number:

301-V30-BNM/SL
301-DU26-BNM/SL

Copper Cove Encore Drawer Unit
(V30+DU26+V30)

Diagrams with Dimensions
page 01 of 03



NOTE ONE: Countertops are not shown in these diagrams. (Cabinet Only)

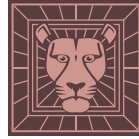
NOTE TWO: Wood Backsplash (Shown) is designed for the molding detail to align with sinks in James Martin's Optional Countertops.

Customer's own countertops and sinks may align differently, and modification may be required.

Please consult our website for Countertop Diagrams: www.jamesmartinvanities.com

90 1/4"

JAMES MARTIN



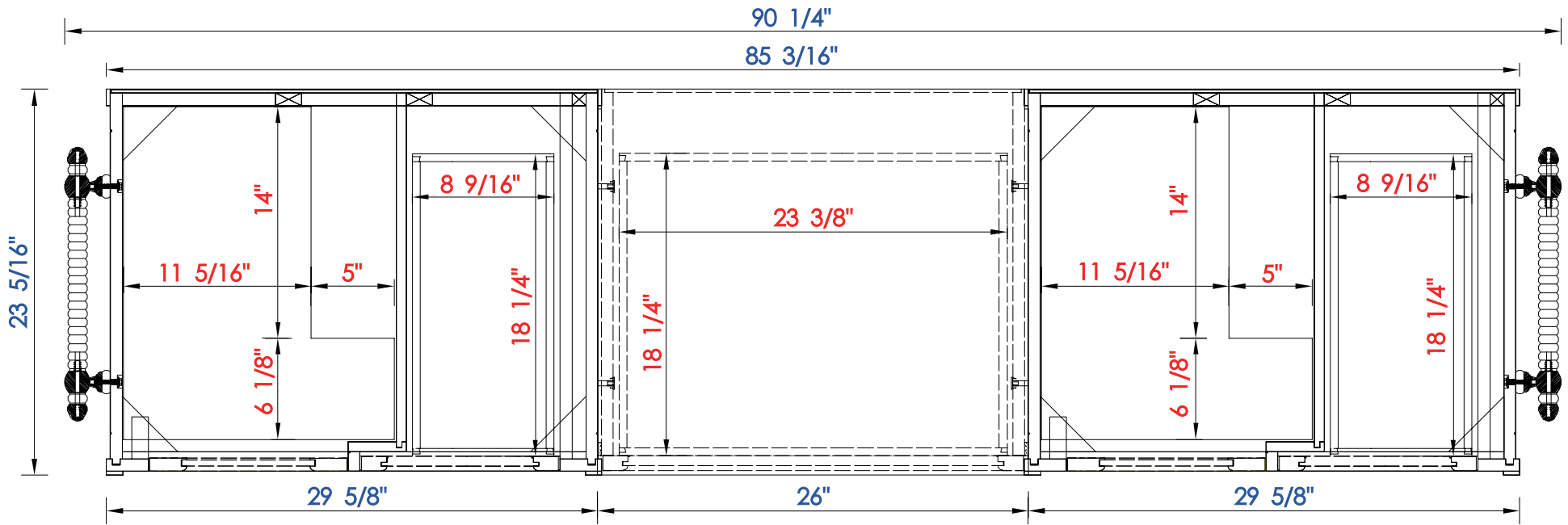
VANITIES™

Item Number:

301-V30-BNM/SL
301-DU26-BNM/SL

Copper Cove Encore Drawer Unit
(V30+DU26+V30)

Diagrams with Dimensions
page 02 of 03



NOTE ONE: Countertops are not shown in these diagrams. (Cabinet Only)

NOTE TWO: Internal Shelves(Shown) are designed to align with sinks in James Martin's Optional Countertops.

Customer's own countertops and sink may align differently, and modification may be required.

Please consult our website for Countertop Diagrams: www.jamesmartinvanities.com

90 1/4"

JAMES MARTIN



VANITIES™

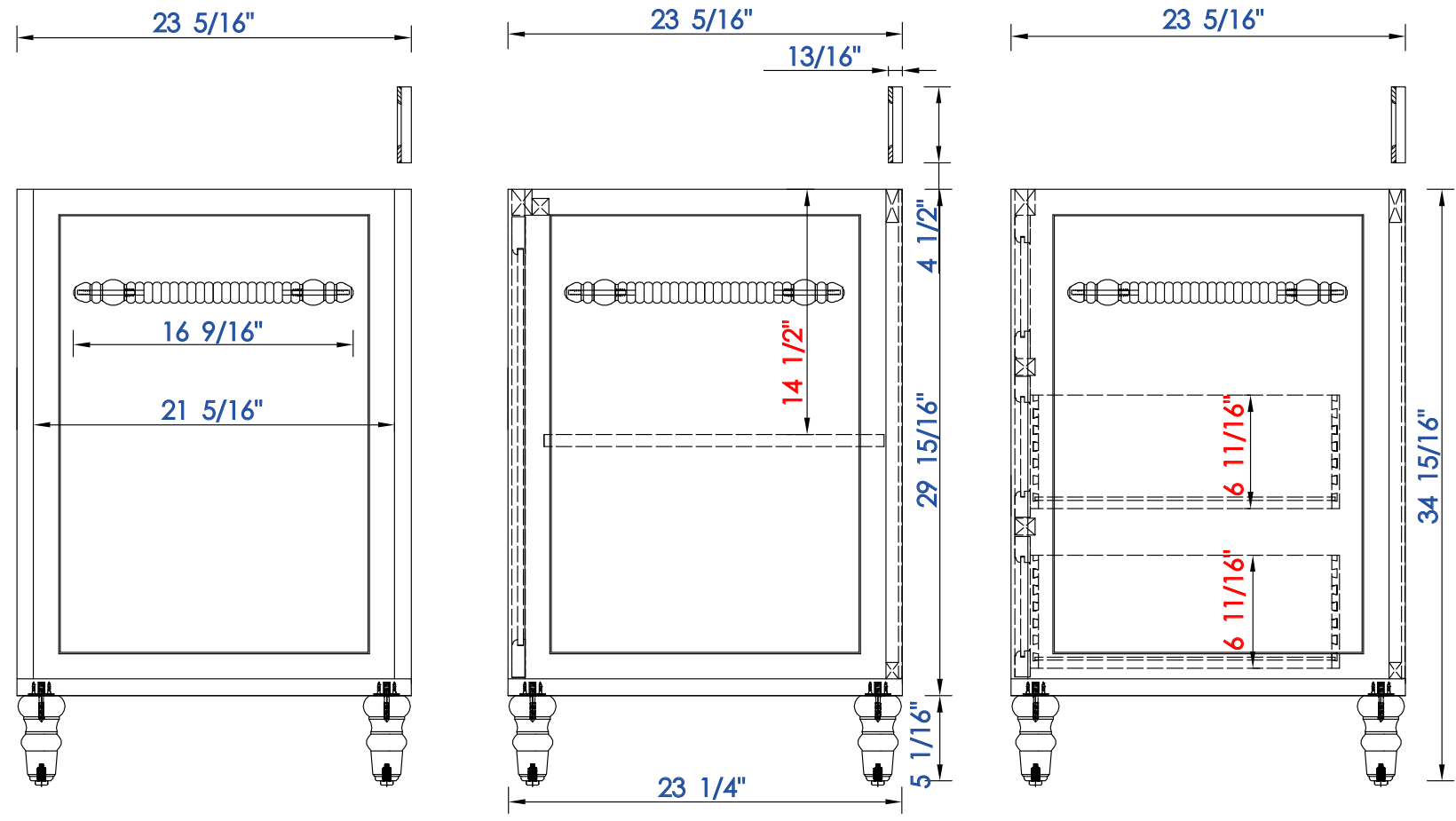
Item Number:

301-V30-BNM/SL
301-DU26-BNM/SL

Copper Cove Encore Drawer Unit

(V30+DU26+V30)

Diagrams with Dimensions
page 03 of 03



NOTE ONE: Countertops are not shown in these diagrams. (Cabinet Only)

NOTE TWO: Wood Backsplash (Shown) is designed for the molding detail to align with sinks in James Martin's Optional Countertops.

Customer's own countertops and sinks may align differently, and modification may be required.

Please consult our website for Countertop Diagrams: www.jamesmartinvanities.com

2292 mm

JAMES MARTIN



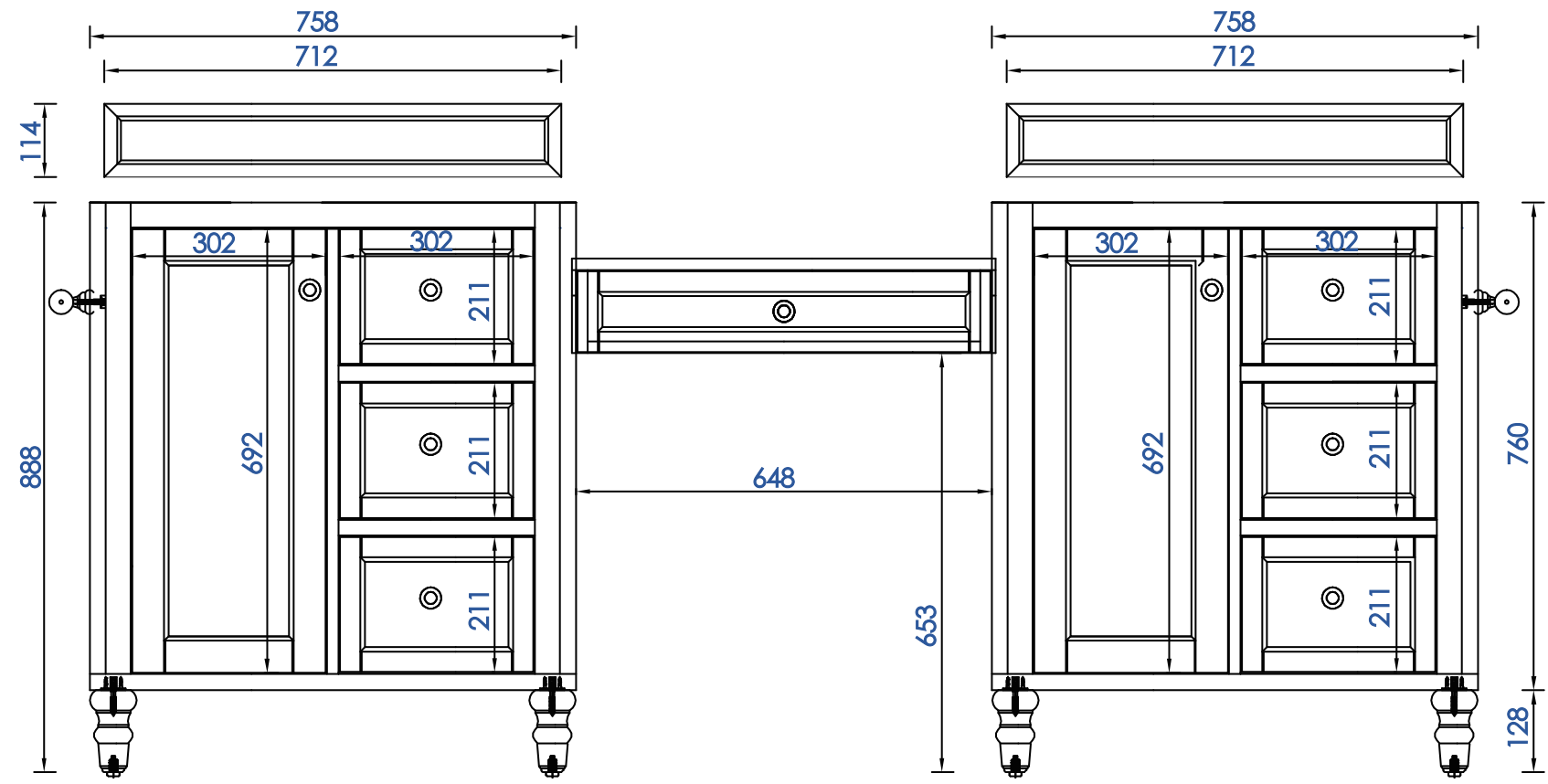
VANITIES™

Copper Cove Encore Drawer Unit
(V30+DU26+V30)

Diagrams with Dimensions
page 01 of 03

Item Number:

301-V30-BNM/SL
301-DU26-BNM/SL

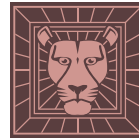


NOTE ONE: Countertops are not shown in these diagrams. (Cabinet Only)

NOTE TWO: Wood Backsplash (Shown) is designed for the molding detail to align with sinks in James Martin's Optional Countertops. Customer's own countertops and sinks may align differently, and modification may be required. Please consult our website for Countertop Diagrams: www.jamesmartinvanities.com

2292 mm

JAMES MARTIN



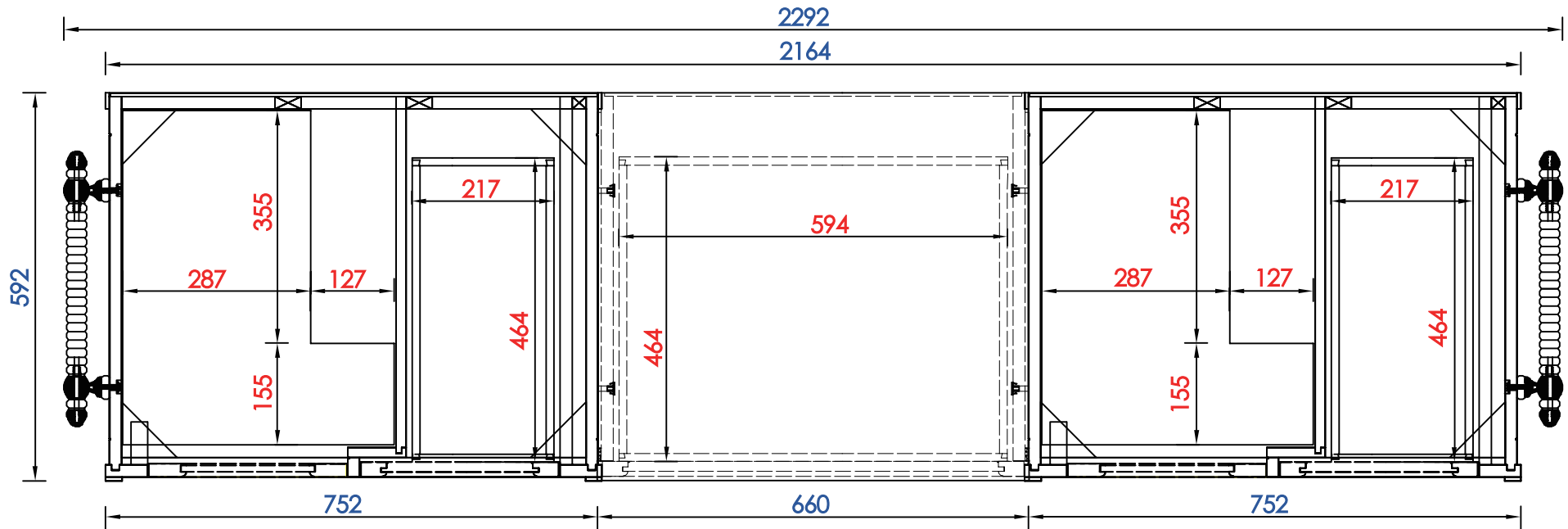
VANITIES™

Item Number:

301-V30-BNM/SL
301-DU26-BNM/SL

Copper Cove Encore Drawer Unit
(V30+DU26+V30)

Diagrams with Dimensions
page 02 of 03



NOTE ONE: Countertops are not shown in these diagrams. (Cabinet Only)

NOTE TWO: Internal Shelves(Shown) are designed to align with sinks in James Martin's Optional Countertops.

Customer's own countertops and sink may align differently, and modification may be required.

Please consult our website for Countertop Diagrams: www.jamesmartinvanities.com

2292 mm

JAMES MARTIN



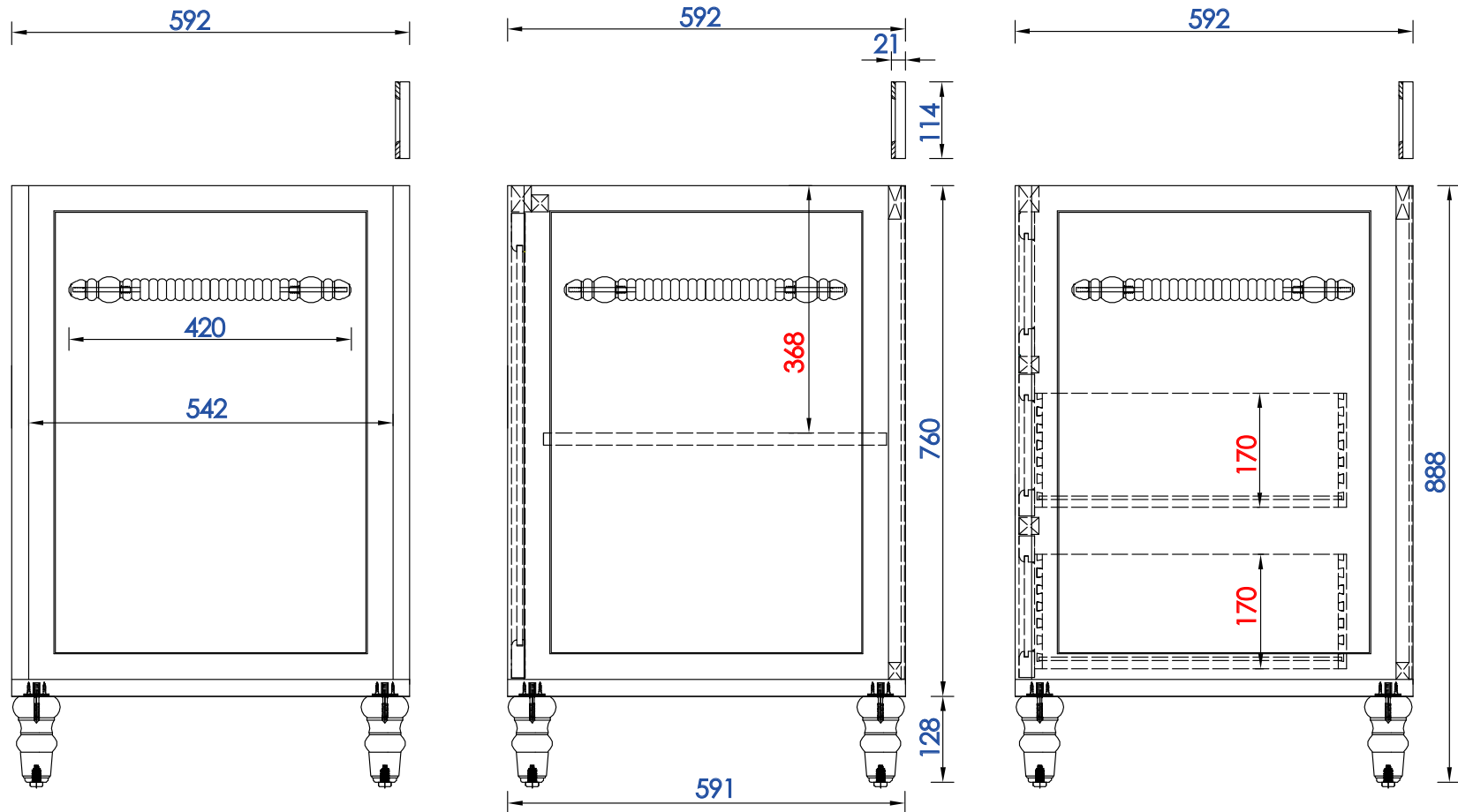
VANITIES™

Item Number:

301-V30-BNM/SL
301-DU26-BNM/SL

Copper Cove Encore Drawer Unit
(V30+DU26+V30)

Diagrams with Dimensions
page 03 of 03



NOTE ONE: Countertops are not shown in these diagrams. (Cabinet Only)

NOTE TWO: Wood Backsplash (Shown) is designed for the molding detail to align with sinks in James Martin's Optional Countertops.

Customer's own countertops and sinks may align differently, and modification may be required.

Please consult our website for Countertop Diagrams: www.jamesmartinvanities.com