

# Soho Shower 02

by JEE-O



ADA compliant

RAW (brushed)  
700-6210

hammercoat black  
700-6212

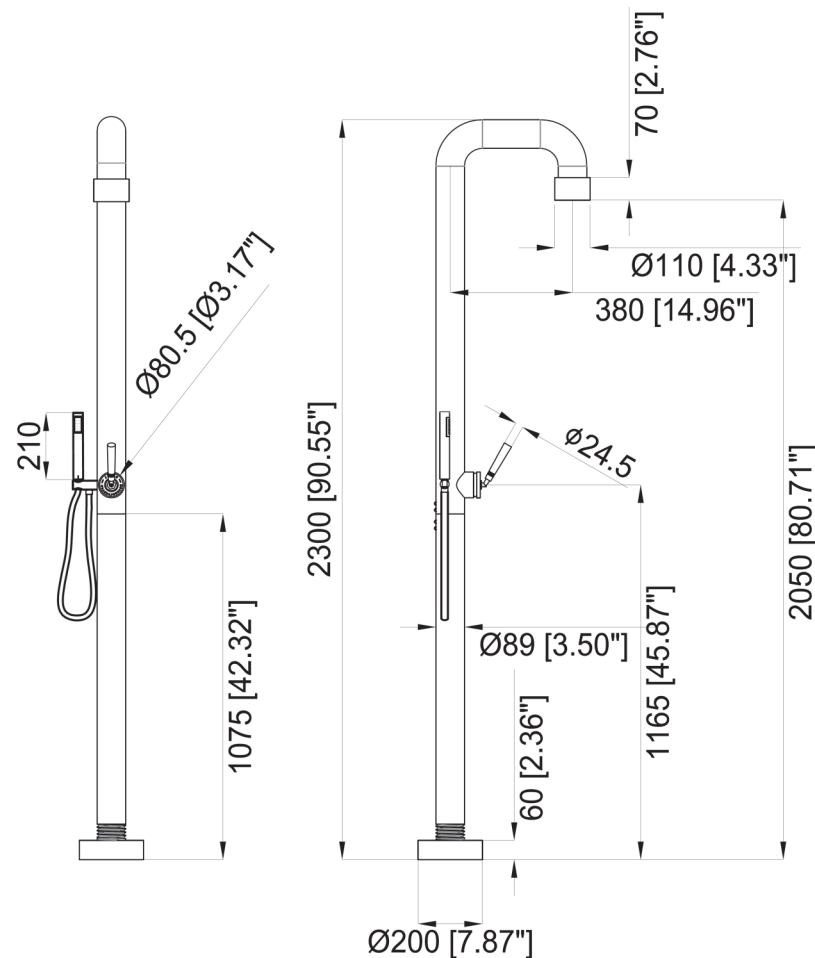
custom finish  
700-621C

## SPECIFICATIONS

MATERIAL:	304 stainless steel
FEATURES:	two-way pressure balance valve hand shower
CARTRIDGE:	progressive two-way mixing mechanism (#005-0203)
FLOW RATE:	3.2 GPM / 1.8 GPM in California (adjustable on request)
WEIGHT:	46 lbs
PACKAGE DIMENSIONS:	L 62" x W 24" x H 8"
DELIVERY WEIGHT:	52 lbs
WARRANTY:	2-year limited warranty

## MAINTENANCE & CARE

RAW (BRUSHED):	Regularly apply stainless steel cleaner and rub in the direction of the grain, using a slightly abrasive sponge.
HAMMERCOAT BLACK:	Regularly clean with soap water or alcohol. Do not use abrasives.



left handshower

middle off

right headshower

