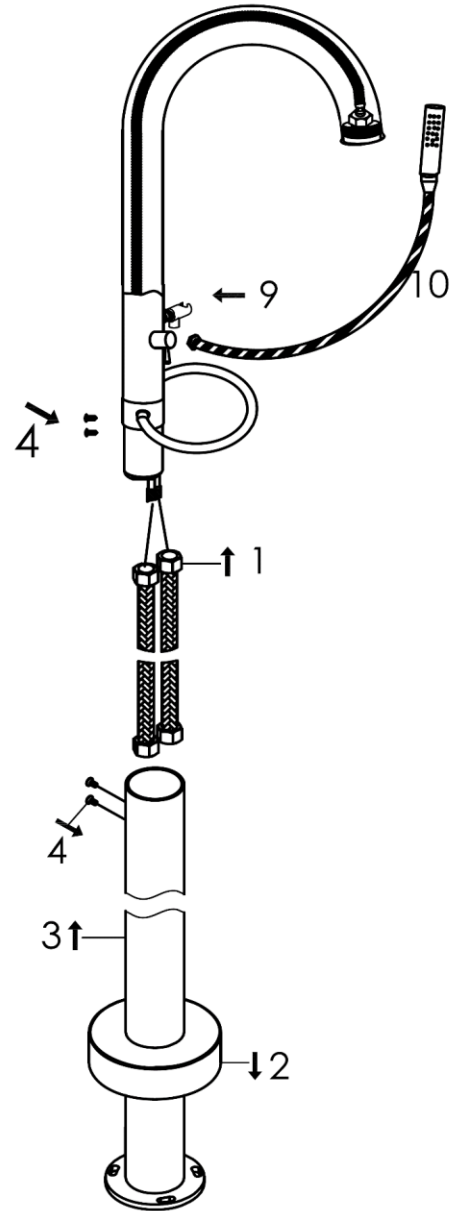
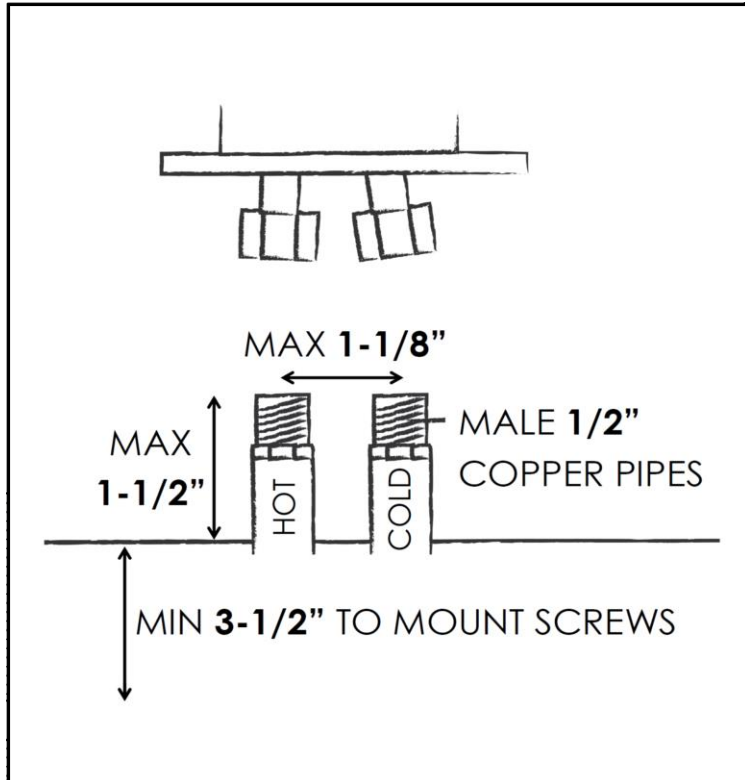
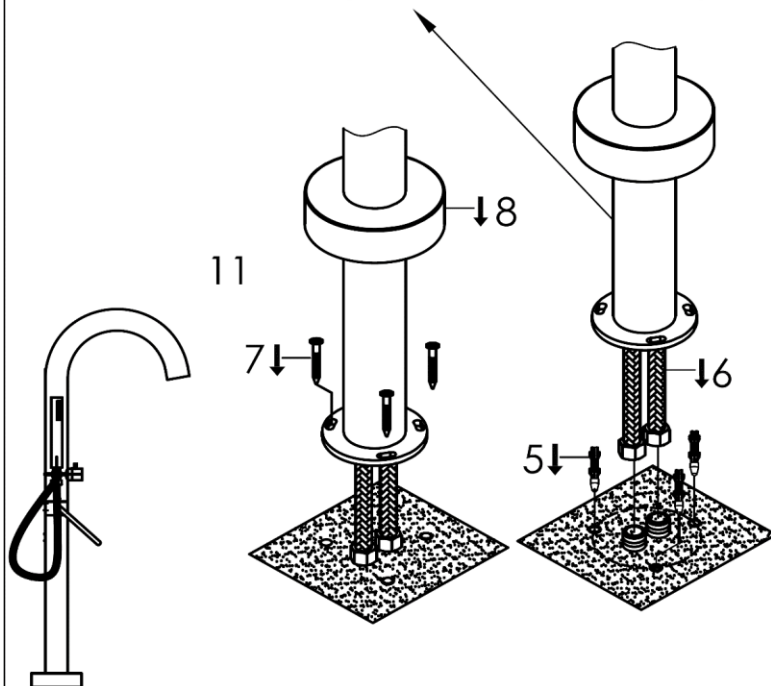




Installation Instructions

brushed
100-3110



1 person holding shower, 1 person attaching.



- | | |
|---|----|
|  | x1 |
|  | x1 |