

# JASON<sup>®</sup>

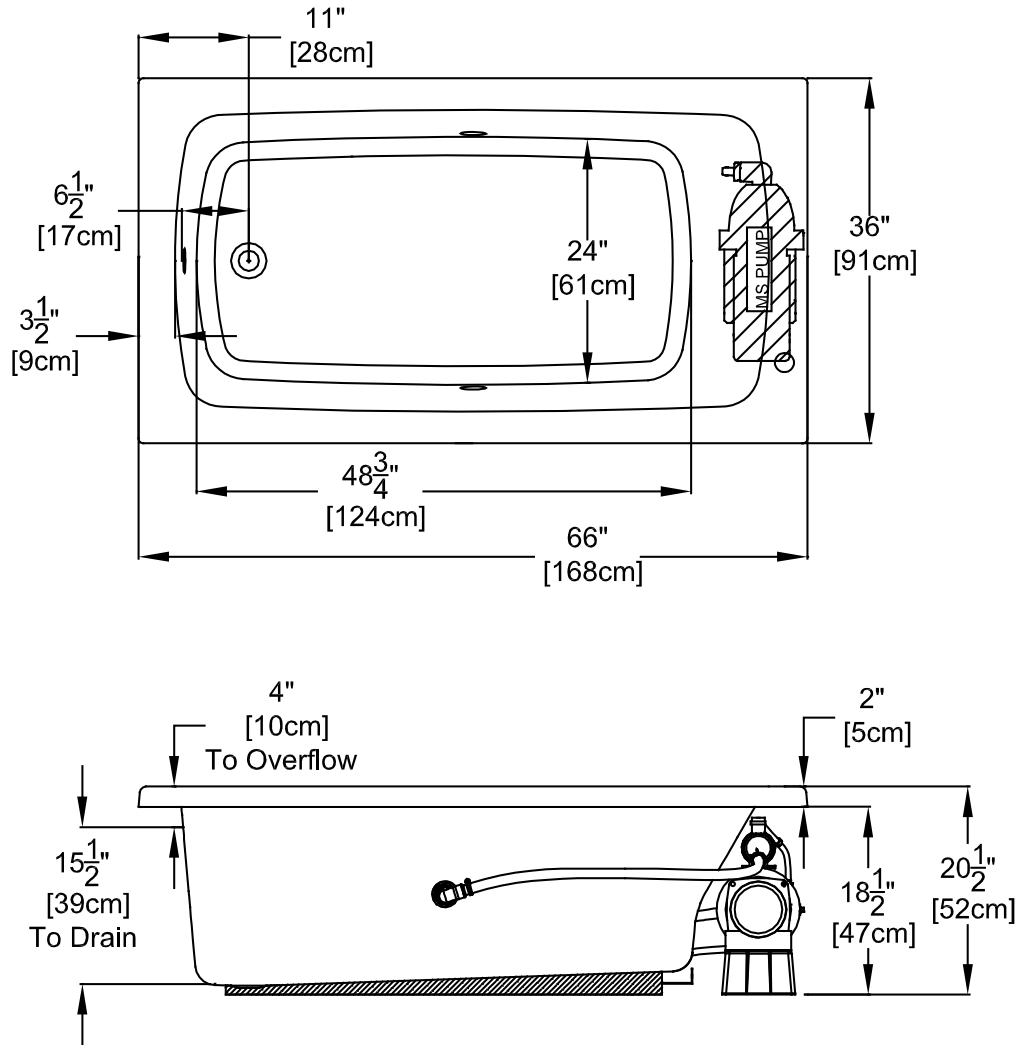
HYDROTHERAPY

8328 MacArthur Dr. • North Little Rock, AR 72118  
 501.771.4477 • Fax: 501.771.2333  
 Customer Service: 800.255.5766  
 www.jasoninternational.com

## Integrity<sup>®</sup> Collection Specifications

# K3666

### MicroSilk<sup>®</sup>

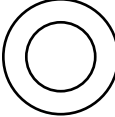


Patents received or pending.

Note: Dimensional Tolerances: ±1/4"

|                                |                       |
|--------------------------------|-----------------------|
| <b>Drop-in-Hole Size:</b>      | 34" x 64"             |
| <b>Operating Capacity:</b>     | 48 Gal.               |
| <b>Overflow Capacity:</b>      | 75 Gal.               |
| <b>Floor Loading / sq.ft.:</b> | 50.1 lbs.             |
| <b>Carton Weight.:</b>         | 112 lbs.              |
| <b>Cube:</b>                   | 34.3 ft. <sup>3</sup> |

Air Switch Control



Includes a quiet, 120V MicroSilk<sup>®</sup> System, an air switch, On/Off Control and 1 MicroSilk<sup>®</sup> Delivery Port. Requires (1) 20A, 120v GFCI protected circuit.

**Construction:** Reinforced Acrylic shell mounted on Level Form™ pre-leveled full support base.

*We provide products listed with Intertek ETL SEMKO (Edison Testing Laboratories) U.S. and Canadian and with International Association of Plumbing and Mechanical Officials (IAPMO). Consult factory with your listing requirements.*