

JASON[®]

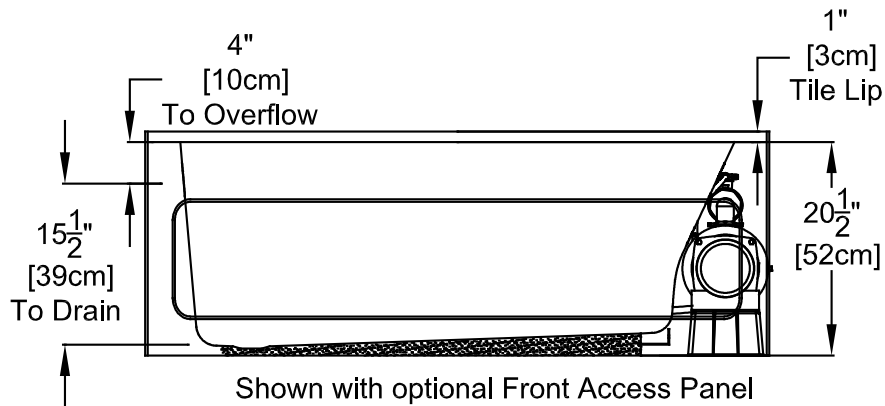
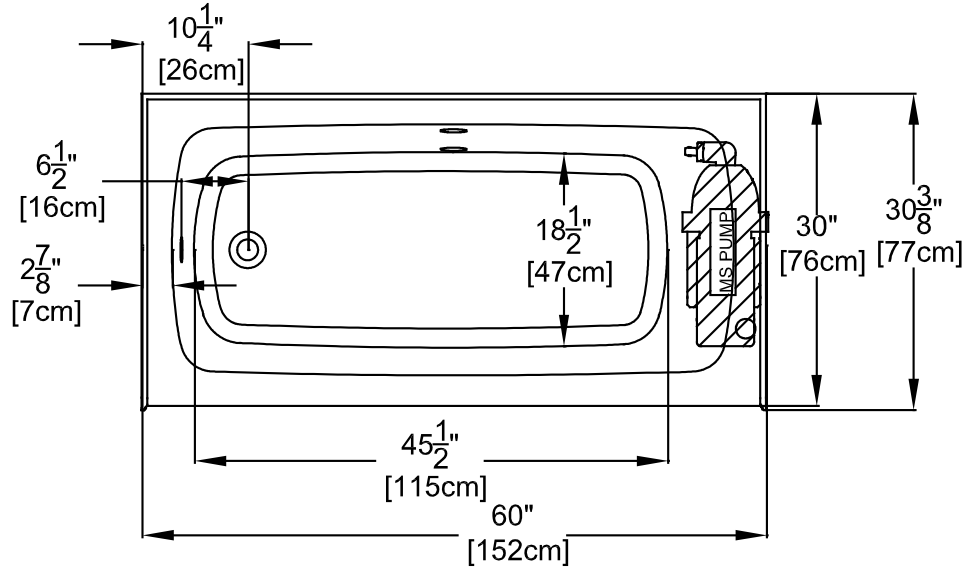
HYDROTHERAPY

8328 MacArthur Dr. • North Little Rock, AR 72118
 501.771.4477 • Fax: 501.771.2333
 Customer Service: 800.255.5766
 www.jasoninternational.com

Integrity[®] Collection Specifications

K3060-SL/SR

MicroSilk[®]

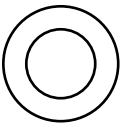


Patents received or pending.

Note: Control Air Switch will be located on bather's left.

Note: Dimensional Tolerances: ±1/4"

Drop-in-Hole Size:	N/A
Operating Capacity:	38 Gal.
Overflow Capacity:	60 Gal.
Floor Loading / sq.ft :	59.2 lbs.
Carton Weight.:	125 lbs.
Cube:	26.4 ft. ³

Air Switch Control		Includes a quiet, 120V MicroSilk [®] System, an air switch, On/Off Control and 1 MicroSilk [®] Delivery Port. Requires (1) 20A, 120v GFCI protected circuit.
---------------------------	---	--

Construction: Reinforced Acrylic shell mounted on Level Form™ pre-leveled full support base.

We provide products listed with Intertek ETL SEMKO (Edison Testing Laboratories) U.S. and Canadian and with International Association of Plumbing and Mechanical Officials (IAPMO). Consult factory with your listing requirements.