

# JASON<sup>®</sup>

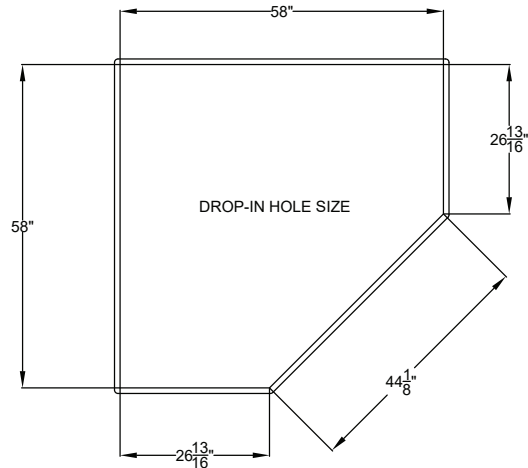
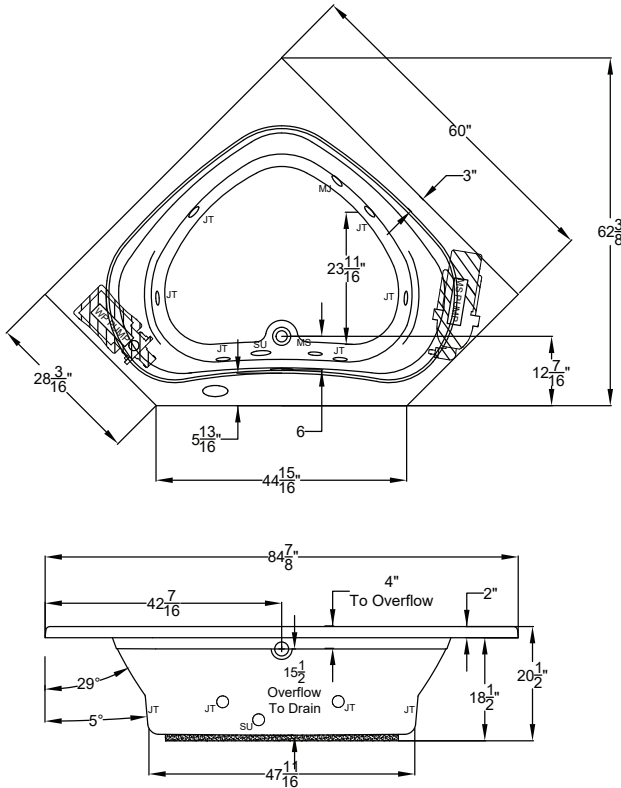
HYDROTHERAPY

8328 MacArthur Dr. • North Little Rock, AR 72118  
 501.771.4477 • Fax: 501.771.2333  
 Customer Service: 800.255.5766  
 www.jasoninternational.com

## Designer Collection Specifications

# CC550

### MicroSilk<sup>®</sup> - Whirlpool






Patents received or pending.

Note: Dimensional Tolerances: ±1/4"

<b>Drop-in-Hole Size:</b>	See Diagram
<b>Operating Capacity:</b>	54 Gal.
<b>Overflow Capacity:</b>	87 Gal.
<b>Floor Loading / sq.ft.:</b>	43.8 lbs.
<b>Carton Weight:</b>	156 lbs.
<b>Cube:</b>	50.9 ft. <sup>3</sup>

**Construction:** Fiberglass reinforced acrylic bath with Level Form™ full-support base.

*We provide products listed with Intertek ETL SEMKO (Edison Testing Laboratories) U.S. and Canadian and with International Association of Plumbing and Mechanical Officials (IAPMO). Consult factory with your listing requirements.*

<b>Standard</b>		A 120V system that includes a MicroSilk <sup>®</sup> unit; a quiet 1-1/2 HP, 1-speed whirlpool pump; an electronic control; and a 20-minute timer. The keypad also controls the optional Jetted Neck Pillow.
<b>Premier</b>		A 120V system that includes a MicroSilk <sup>®</sup> unit; a quiet 1-1/2 HP, 1-speed whirlpool pump; bath heater; (2) Chromatherapy mood mights; Automatic Ozone System; an electronic control; and a 20-minute timer. The keypad also operates the optional Jetted Neck Pillow.
<b>Signature</b>		A 120V system that includes a MicroSilk <sup>®</sup> unit; a quiet 1-1/2 HP, 1-speed whirlpool pump; bath heater, (2) Chromatherapy mood mights; Automatic Ozone System; a digital control with LCD display; low water level and temperature sensors; enhanced user control options; a 20-minute timer; and Bluetooth Sound Immersion System. Control keypad operates the MicroSilk <sup>®</sup> and Whirlpool pumps, LED Chromatherapy mood lights, optional Jetted Neck Pillow, and shows equipment status, water temperature, and time remaining.