

INSTALLATION INSTRUCTIONS

Contemporary Stainless Steel 1-1/4" Grab Bars

Part #11412RND, 11418RND, 11424RND, 11432RND
11436RND, 11442RND, 11448RND



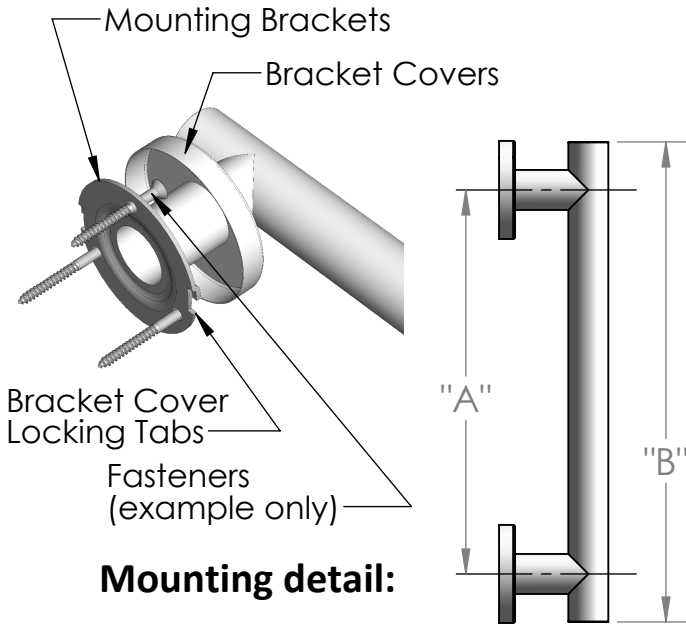
Materials provided:

- 1ea. Grab Bar assembly
- 1 pkg. Installation hardware



Recommended tools:

- Drill with long shank bits
- Long shank Phillips screwdriver
- Level



Mounting detail:

Part #	A	B
11412RND	12"	15 1/8"
11418RND	18"	21 1/8"
11424RND	24"	27 1/8"
11432RND	32"	35 1/8"
11436RND	36"	39 1/8"
11442RND	42"	45 1/8"
11448RND	48"	51 1/8"

Step 1:

Twist the two bracket covers counterclockwise to unlock them from the mounting brackets. Then slide the covers back to access the mounting bracket screw holes.

Step 2:

Verify the mounting location, and mark the 6 fastener centers relative to the "A" dimension shown above. Use all 3 mounting holes provided in each bracket to install the JACLO Grab Bar. Use the appropriate fastener type required for specific wall materials and backing.

Note: Follow the fastener manufacturer's instructions when using Moly bolts, wood screw anchors, toggle bolts, Wingits, cement anchors, etc. for installations of the JACLO Grab Bar. Adhere to local building codes for installation compliance of the JACLO Grab Bar.

Step 3:

After mounting the Grab Bar, slide the bracket covers over the mounting brackets, and orient the locking tabs accordingly, then twist clockwise to secure the covers flush to the wall.

Over Fifty Years of Excellence Proud to be an American Company



CARE INSTRUCTIONS

In order to maintain the high quality finish of JACLO products, please adhere to the following product care instructions:

Cleaning JACLO products: For routine cleaning, simply use a soft damp cloth and common household soap, then rinse and dry. Proper care of your product is important because most water contains calcium that deposits on surfaces, forming unpleasant spots. This can be avoided by routine cleaning and drying after every use. Use only mild soap detergents. JACLO products may be periodically waxed with non abrasive compounds, such as Flitz® faucet wax.

Never use abrasive cleaners, bleach, disinfectants or cleaning products containing alcohol, ammonia, hydrochloric or phosphoric acids as they will damage the product finish.

Please note: Your product warranty may not be valid if the above cleaning guidelines are not followed.

WARRANTY

Residential Warranty: Your new plumbing fixture is warranted by **JACLO INDUSTRIES**, 129 Dermody Street, Cranford, NJ 07016. This warranty is extended to original consumer purchasers only. This warranty gives you specific legal rights, and you may also have other rights which vary from state to state.

The product (including the finish on the product but excluding any custom finishes and any installation hardware not supplied by JACLO) is warranted to be free from defects in material or workmanship under normal use and service for the lifetime* of the fixture, so long as the original consumer purchaser owns it. JACLO's sole obligation under this or any other warranty is limited to repairing or replacing at JACLO's option, without labor, any part or parts of the fixture which fail to conform to such warranty.

JACLO WILL NOT BE LIABLE FOR ANY CONSEQUENTIAL OR INCIDENTAL DAMAGES CAUSED BY A BREACH OF THIS OR ANY OTHER WARRANTY.

Some states do not allow the exclusion of limitation of incidental or consequential damages, so the above limitation may not apply to you.

To secure warranty performance, the original consumer purchaser must have the fixture properly and professionally installed in accordance with all codes and installation instructions.

Items and actions that will void the JACLO warranty are:

- Abuse, misuse, neglect and accidental damage
- Improper cleaning, care and maintenance of the fixture
- Alteration of the fixture in any way including removal of a flow regulator/restrictor

All warranty claims must be made in accordance with the JACLO return policy (see below).

JACLO does not authorize any distributor, retailer or other person to modify this warranty or assume any liability on its behalf with respect to it. Any question regarding the operation of warranty should be addressed to JACLO's warranty department.

*Due to the unpredictable environment, all kitchen drains, strainers and garbage disposal flanges are warranted for the period of one year from date of purchase from an authorized JACLO dealer.

Un-lacquered Brass (ULB) is a living finish and is excluded from any finish warranty.

Commercial Warranty: JACLO offers the above warranty for a period of one year from date of purchase to purchasers of products for industrial, commercial, business and all non-private residential uses.

