

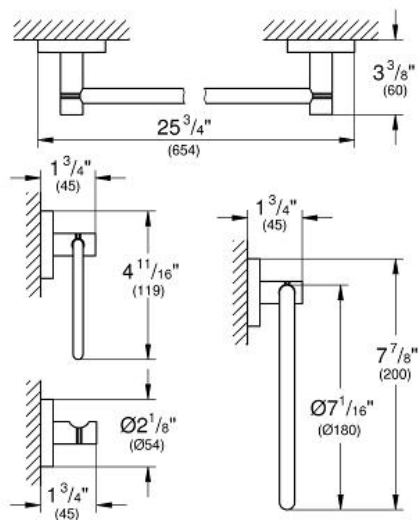
ESSENTIALS

MODEL # 40823001

Pure Freude an Wasser



GROHE America, Inc | 200 North Gary Avenue, Suite G, Roselle, IL 60172
Phone: +1 (800) 444-7643 | Fax: +1 (800) 225-2778 | us-customerservice@grohe.com



Product Description:

Standard Specification:

- Material: Metal
- Consisting of:
 - Towel rail (40 366 001)
 - Robe hook (40 364 001)
 - Toilet paper holder (40 689 001)
 - Towel ring (40 365 001)
- Concealed fastening
- **GROHE StarLight** finish

Color:

- 40823001 001 chrome