



**Information**

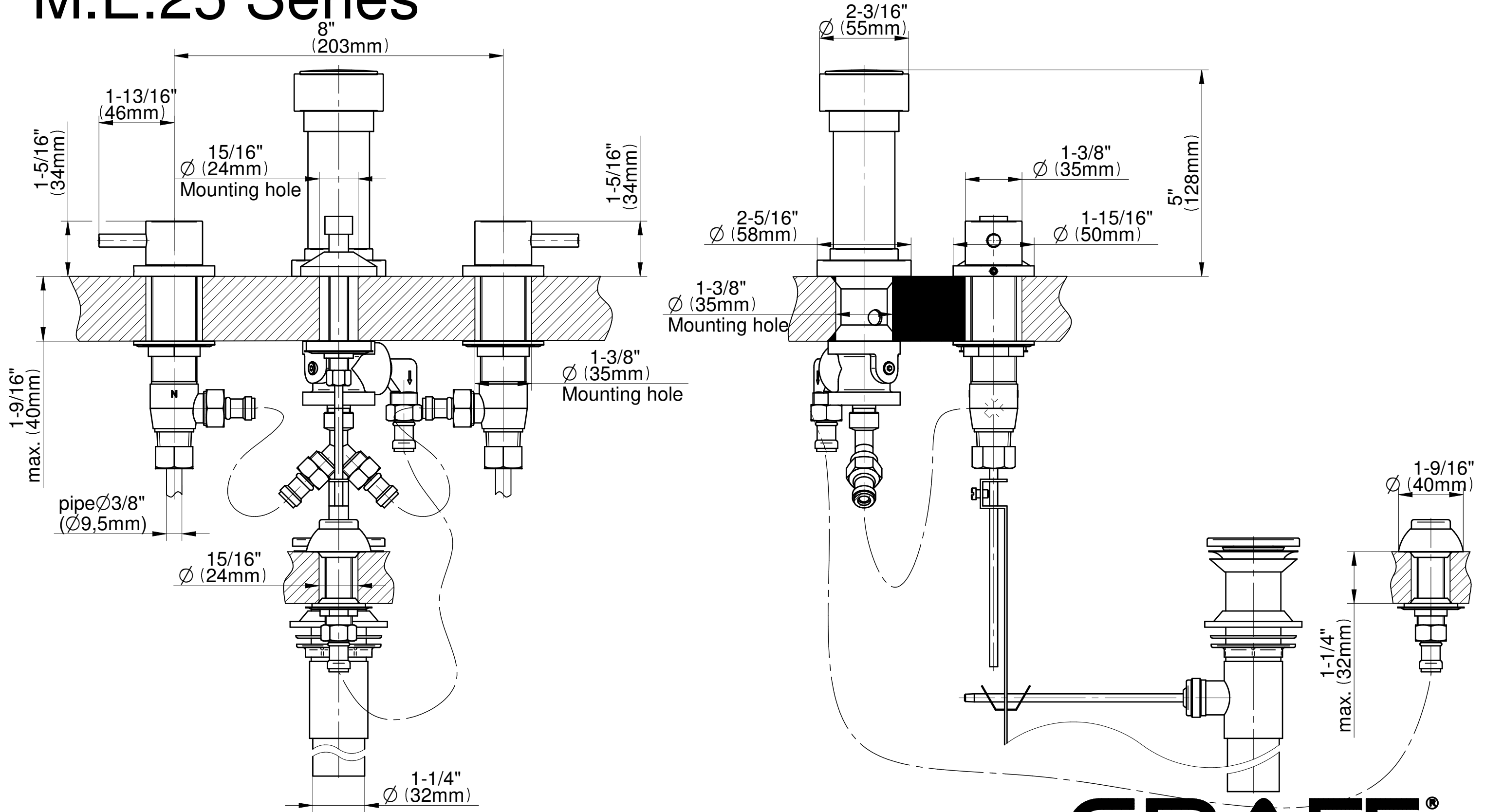
- 4-hole installation
- Vertical spray with vacuum breaker
- Includes manual pop-up drain assembly with overflow
- ADA

**Finishes**



# G-6163-LM41B

## M.E.25 Series



**GRAFF**<sup>®</sup>  
CUTTING EDGE DESIGN