



VITREOUS CHINA

TOILET
SE-20-102

LAVATORIES

TOILETS

BIDETS / URINALS

CAST IRON

MAXWELL® SE Round Front Toilet

12" Rough-in

Features:

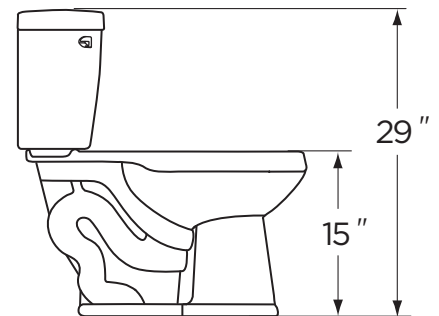
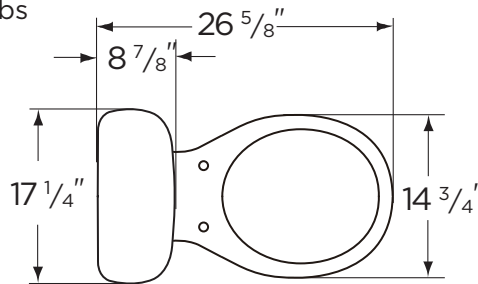
- 1.6 gpf/6 Lpf two-piece toilet
- Round Front bowl
- Dual-fed siphon jet
- 2" flush valve
- Glazed trapway
- Color matched front tank lever (white only)
- Optional insulated non-sweating tank
- Optional right-handed trip lever
- Available in White, and Biscuit
- 2 bolt caps
- Seat not included



Dimensions:

- Height 29"
- Width 17 1/4"
- Depth 26 5/8"
- Rough-in 12"
- Water Surface from Rim 5"
- Trapway 1 3/4"
- Water Surface 9 5/8" x 7 5/8"
- Water Seal 2 1/4"
- Shipping Weight 74 lbs

Specifications: Bowl—#SE-21-152 Round Front Bowl Tank—#28-170



THIS FIXTURE QUALIFIES ACCORDING TO ASME TEST PROCEDURES AS A LOW CONSUMPTION WATER CLOSET WITH AN AVERAGE CONSUMPTION OF 1.6 gpf (6Lpf) OR LESS.



www.gerberonline.com

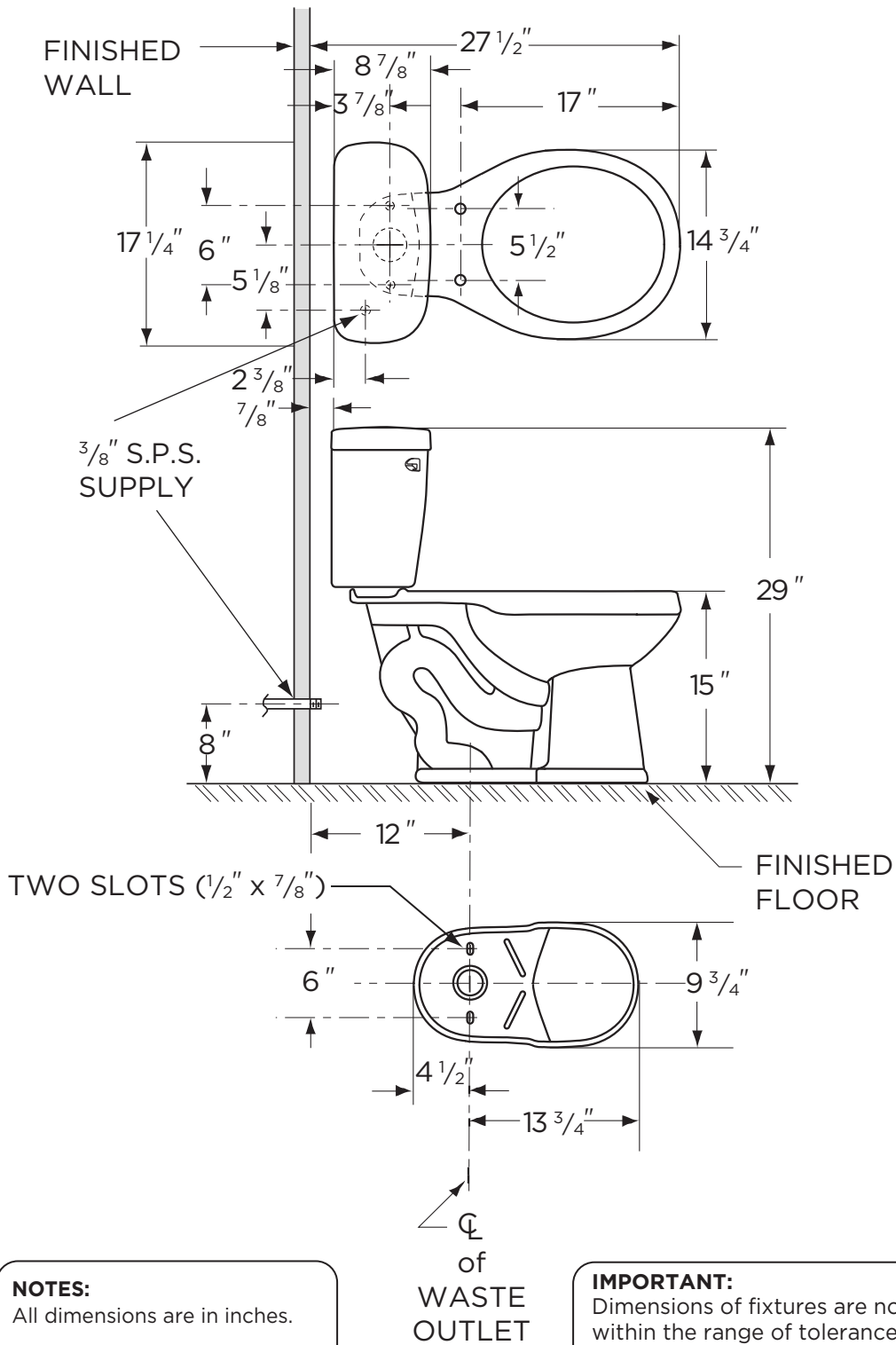
Job Name	
Date	
Model Specified	
Quantity	
Customer	
Contractor	
Architect/engineer	

GERBER

1.6 gpf (6 Lpf) MAXWELL® SE TOILET

SE-20-102

Round Front, 12" Rough-in
(Bowl SE-21-152 with Tank 28-170)



NOTES:

All dimensions are in inches.

Illustrations may not be drawn to scale.

IMPORTANT:

Dimensions of fixtures are nominal and may vary within the range of tolerances established by ASME Standard A 112.19.2.

THIS FIXTURE QUALIFIES ACCORDING TO ASME TEST PROCEDURES AS A LOW CONSUMPTION WATER CLOSET WITH AN AVERAGE CONSUMPTION OF 1.6 gpf (6Lpf) OR LESS.