

### SPECIFICATIONS



#### Features/Benefits

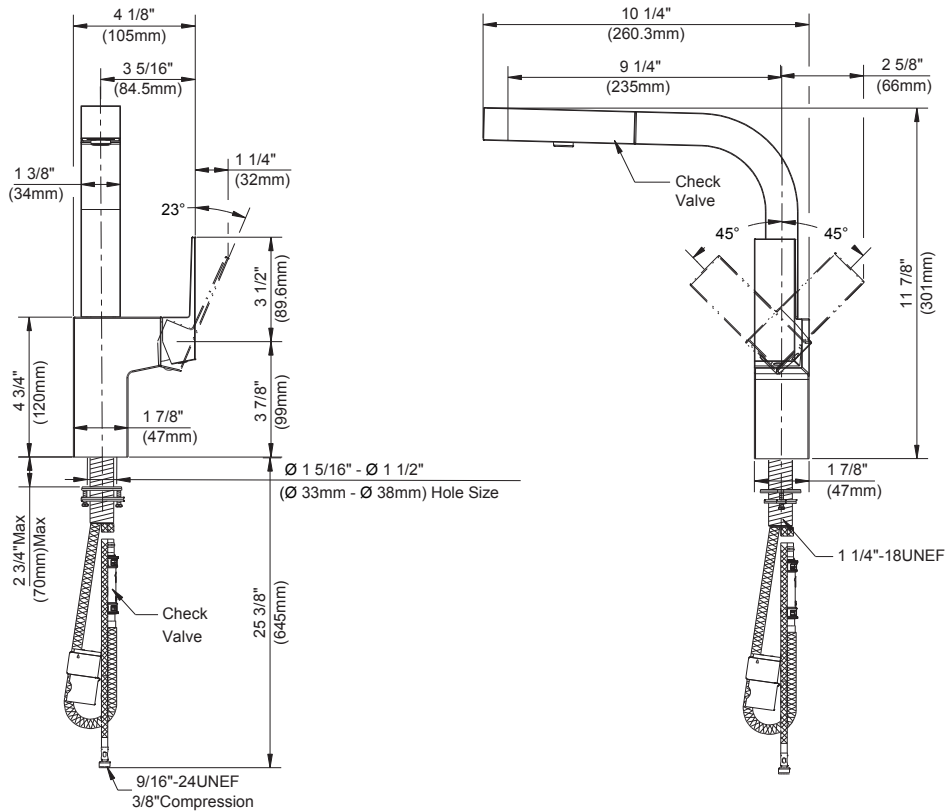
- SnapBack® Retraction System
- Easily Adjustable GripLock® Weight
- 11 7/8" Spout Height, 9 1/4" Spout Reach
- 1.75gpm (6.6 L/min) Standard Using DA52802155N Spray Head
- Alternative Flow Rates Available with Spray / Aerated Water Stream
  - 1.5 gpm (5.7 L/min) When Used with DA52802165N Spray Head
- 2 Function Spray / Aerated Stream
- Ceramic Disc Cartridge
- 360 Degree Swivel Spout
- Single Hole Installation
- Optional Deck Plate, DA617054, Sold Separately
- Optional Temperature Indicator Included

#### Available Color/Finishes

 Chrome

Please see [gerberonline.com](http://gerberonline.com) or current price list for available finishes. Finish is defined by additional suffix.

#### Standards & Certifications



#### Submittal Information:

Name: \_\_\_\_\_  
Location: \_\_\_\_\_

Contractor: \_\_\_\_\_  
Contact #: \_\_\_\_\_